

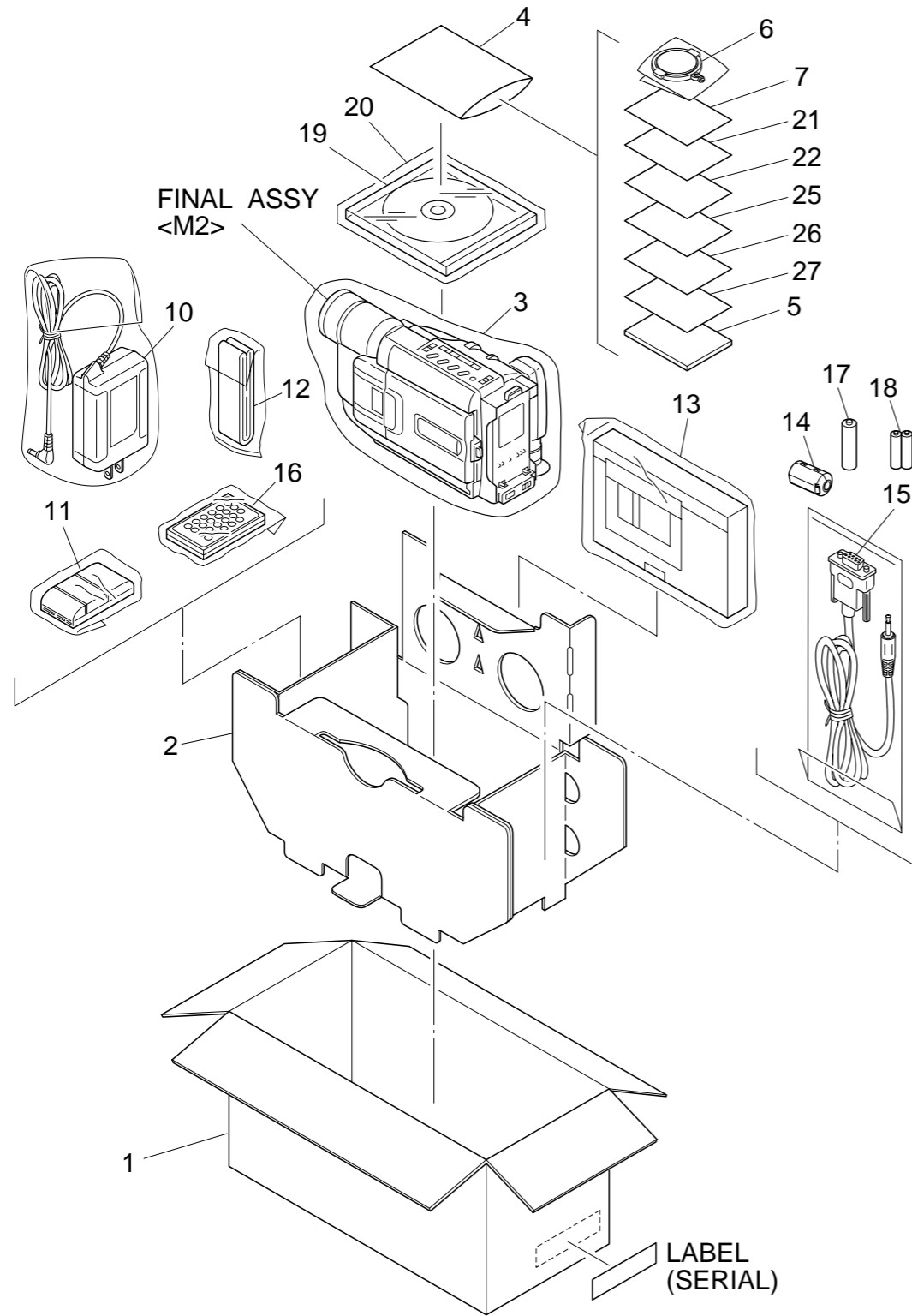
SECTION 5 PARTS LIST

SAFETY PRECAUTION

Parts identified by the \triangle symbol are critical for safety. Replace only with specified part numbers.

5.1 PACKING AND ACCESSORY ASSEMBLY <M1>

The instruction manual to be provided with this product will differ according to the destination.



\triangle REF No. PART No. PART NAME, DESCRIPTION

PACKING AND ACCESSORY ASSEMBLY <M1>

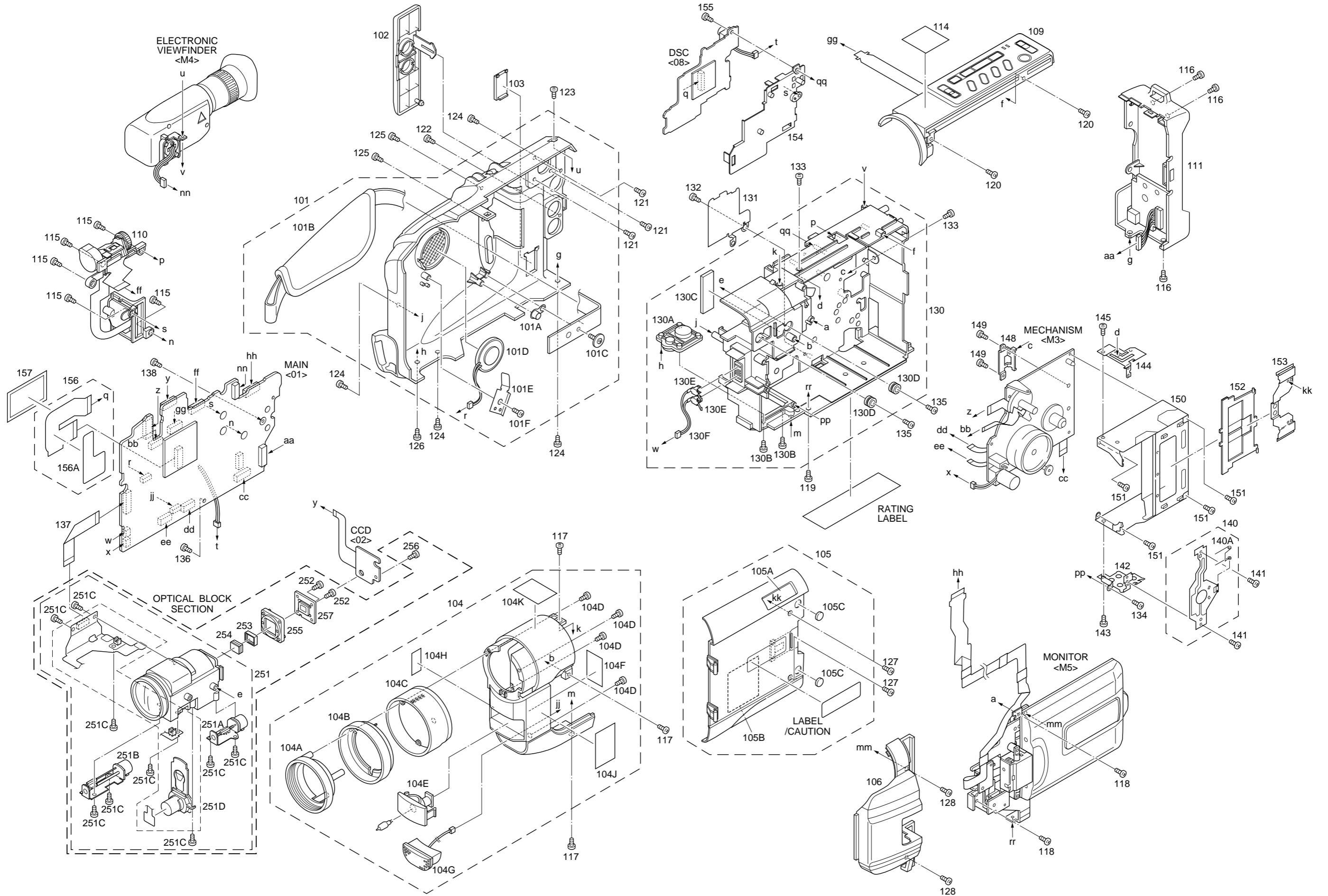
1	LY32179-002A	PACKING CASE,A,B
	LY32179-004A	PACKING CASE,C,D
	LY32179-005A	PACKING CASE,E,F
2	LY32065-001A	CUSHION
3	LY30023-002A	POLY BAG
4	QPA02003506	POLY BAG
\triangle 5	LYT0689-001A	IB(EN),A,B,C,D
\triangle 6	LYT0705-001A	IB(EN),E,F
\triangle 7	LYT0706-001A	IB(FR),B,D
\triangle 8	LYT0721-001A	IB(FR),F
6	LY41538-002B	LENS CAP
7	BT-51020-2	REGIST.CARD,A,C,E
	BT-52004-1	WARRANTY CARD,B,D,F
\triangle 10	LY20739-001A	AC ADAPTER,AP-V10U
\triangle 11	YQ10629A	BATTERY PACK,BN-V11U
12	LY20186-001A	SHOULDER STRAP
13	YQ31963A-3	CASSETTE ADAPTER
	or YQ31963B-3	CASSETTE ADAPTER
14	QQR0491-002	CORE FILTER,E,F
15	QAM0084-001	PC CONNECTION CABLE,E,F
16	LY42129-001A	REMOTE CONTROL UNIT,RM-V715U,C,D,E,F
17	-	AA(R6)BATTERY,FOR CASSETTE ADAPTER
18	-	AAA(R03)BATTERY,FOR RCU,C,D
19	LY31133-001B	CD ROM E,F
20	LY30023-010A	POLY BAG,E,F
21	BT-20071B	SER.NET CARD,B,D,F
22	YU30843-4	SOFT WARE PERM.,E,F
\triangle 25	LYT0309-001B	IB(SOFT)(EN),E,F
26	LYT0309-004A	SHEET(INSTALL),E,F
27	LYT0378-003A	SHEET(AGREMENT),F

• INSTRUCTIONS

EN..... ENGLISH
FR..... FRENCH

MODEL	MARK
GR-AXM230U	A
GR-AXM230UC	B
GR-SXM330U	C
GR-SXM330UC	D
GR-SXM930U	E
GR-SXM930UC	F

5.2 FINAL ASSEMBLY <M2>



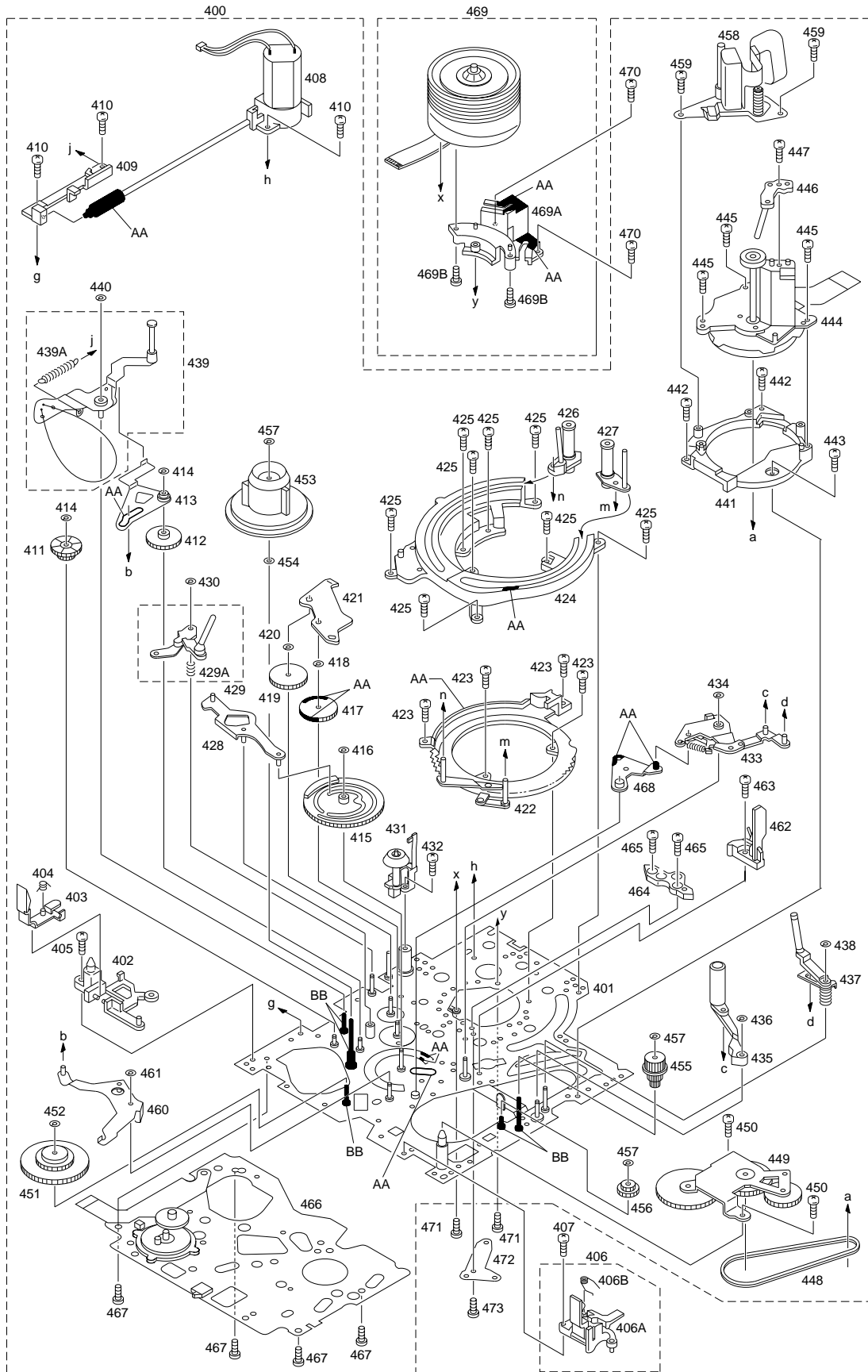
#	△ REF No.	PART No.	PART NAME, DESCRIPTION	#	△ REF No.	PART No.	PART NAME, DESCRIPTION

FINAL ASSEMBLY <M2>							
101		LY20684-005A	LOWER CASE ASSY,A,B	130C		LY30029-0A4A	SPACER(A)
		LY20684-008A	LOWER CASE ASSY,C,D	130D		LY41082-001A	CUSHION(OP),X2
		LY20684-009A	LOWER CASE ASSY,E,F	130E		YQ43810-1-1	CONTACT(LIGHT),X2
101A		LY40081-001A	CAPACITOR	130F		WJM0167-001A	E-SI C WIRE C-F
101B		LY20682-001A	GRIP BELT	131		LY42758-001A	S.CASE(MAIN)
101C		LY30018-003A	SPECIAL SCREW	132		QYSPSTU1725M	SCREW
101D		QAS0061-001	SPEAKER	133		LY41173-001A	SPECIAL SCREW,X2
101E		LY42764-001B	HOLDER(SPEAKER)	134		QYSLSF1750D	SCREW
101F		QYSLSF2050Z	SCREW	135		LY30018-050A	SPECIAL SCREW,X2
102		LY31945-001B	COVER(JACK)	136		QYSLSF2060D	SCREW
103		LY31946-001A	COVER(JIG)	137		WJT0039-001A	E-CARD WIRE,OP-MAIN CN15
104		LY20683-005B	FRONT COVER ASSY,C,D	138		QYSLSF2060D	SCREW
		LY20683-008B	FRONT COVER ASSY,A,B	140		LY31790-001A	FRONT FRAME ASSY
		LY20683-015A	FRONT COVER ASSY,E,F	140A		YQ44144-1-1	TAPE GUIDE
104A		LY31937-001A	HOOD	141		SPSH1725M	SCREW,X2
104B		LY31938-001A	COVER(HOOD)	142		LY31807-001A	SIDE BRACKET L
104C		LY31936-001A	RING	143		LY42722-003A	SCREW
104D		QYSLSF2060D	SCREW,X4	144		LY31806-001A	SIDE BRACKET R
104E		LY32040-001A	DC LIGHT	145		LY42722-003A	SCREW
104F		LY30029-0B4A	SPACER(A)	148		LY31816-001A	BRACKET(MECHA)
104G		LY32043-001A	MICROPHONE	149		LY42722-003A	SCREW,X2
104H		YQ44341-6	CAUTION LABEL	150		LY31808-001A	CASS.HOUSING ASSY
104J		LY32058-002A	STICKER(A)	151		LY42722-003A	SCREW,X4
104K		LY32060-001A	STICKER(C),A,B	152		LY30176-001A	CASS.COV.INSIDE
		LY32060-003A	STICKER(C),C,D,E,F	153		LY31956-001A	BRACKET(C.COV)
105		LY20694-001A	CASS.COVER(M)ASSY,A,B	154		LY20645-001A	HOLDER(DSC P),E,F
		LY20694-002A	CASS.COVER(M)ASSY,E,F	155		QYSLSF2060D	SCREW,E,F
		LY20694-004A	CASS.COVER(M)ASSY,C,D	156		LY42875-001A	FPC(DSC) ASSY,E,F
105A		LY42883-001A	MARK	156A		LY42876-001A	S.SHEET(DSC FPC),E,F
105B		LY40559-001A	SHIELD SHEET	157		YU40341	INSULATOR,E,F
105C		LY40076-001A	SPACER,X2	- OPTICAL BLOCK SECTION -			
106		LY10257-015A	UPPER CASE(M),C,D	251		LY30948-003A	OP BLOCK ASSY
		LY10257-018A	UPPER CASE(M),E,F	251A		PTY30948-002	FOCUS MOTOR
		LY10257-019A	UPPER CASE(M),A,B	251B		PTY30948-321	ZOOM MOTOR
109		LY20614-008B	TOP OPE UNIT,E,F	251C		PTY30151-016	SCREW,X9
		LY20614-010B	TOP OPE UNIT,A,B	251D		PTY30948-006	IRIS MOTOR UNIT,INCL.FPC
		LY20614-012B	TOP OPE UNIT,C,D	252		QYSPSGU2080Z	SCREW,X2
110		LY20613-001A	ZOOM UNIT	253		LY31441-001A	SPACER RUBBER
111		LY20615-005A	REAR UNIT	254		LY41757-001A	OPTICAL LPF
114		LY32061-004A	STICKER(D),E,F	255		LY20346-001A	CCD SPACER
		LY32061-005A	STICKER(D),A,B,C,D	256		LY30018-072A	SPECIAL SCREW
115		QYSLSF2060D	SCREW,X5	257		LYH40018-006A	CCD BASE ASSY,C,D,E,F
116		QYSLSF2060D	SCREW,X3			LYH40047-001A	CCD BASE ASSY,A,B
117		QYSLSF2060D	SCREW,X3				
118		QYSLSF2060D	SCREW,X2				
119		QYSLSP2030D	SCREW				
120		QYSLSF2060D	SCREW,X2				
121		QYSLSF2050Z	SCREW,X3				
122		QYSLSF2060D	SCREW				
123		QYSLSF2060D	SCREW				
124		QYSLSF2060D	SCREW,X4				
125		QYSLSF2060D	SCREW,X2				
126		QYSLSF2060D	SCREW				
127		QYSLSP2030D	SCREW,X2				
128		QYSLSP2030D	SCREW,X2				
130		LY20678-001A	FRAME ASSY				
130A		YQ31843	BASE				
130B		QYSLSF2060D	SCREW,X2				

5.3 MECHANISM ASSEMBLY <M3>

BEWARE OF BOGUS PARTS

Parts that do not meet specifications may cause trouble in regard to safety and performance. We recommend that genuine JVC parts be used.



Classification	Part No.	Symbol in drawing
Grease	KYODO-SH-P	AA
Oil	YTU94027	BB

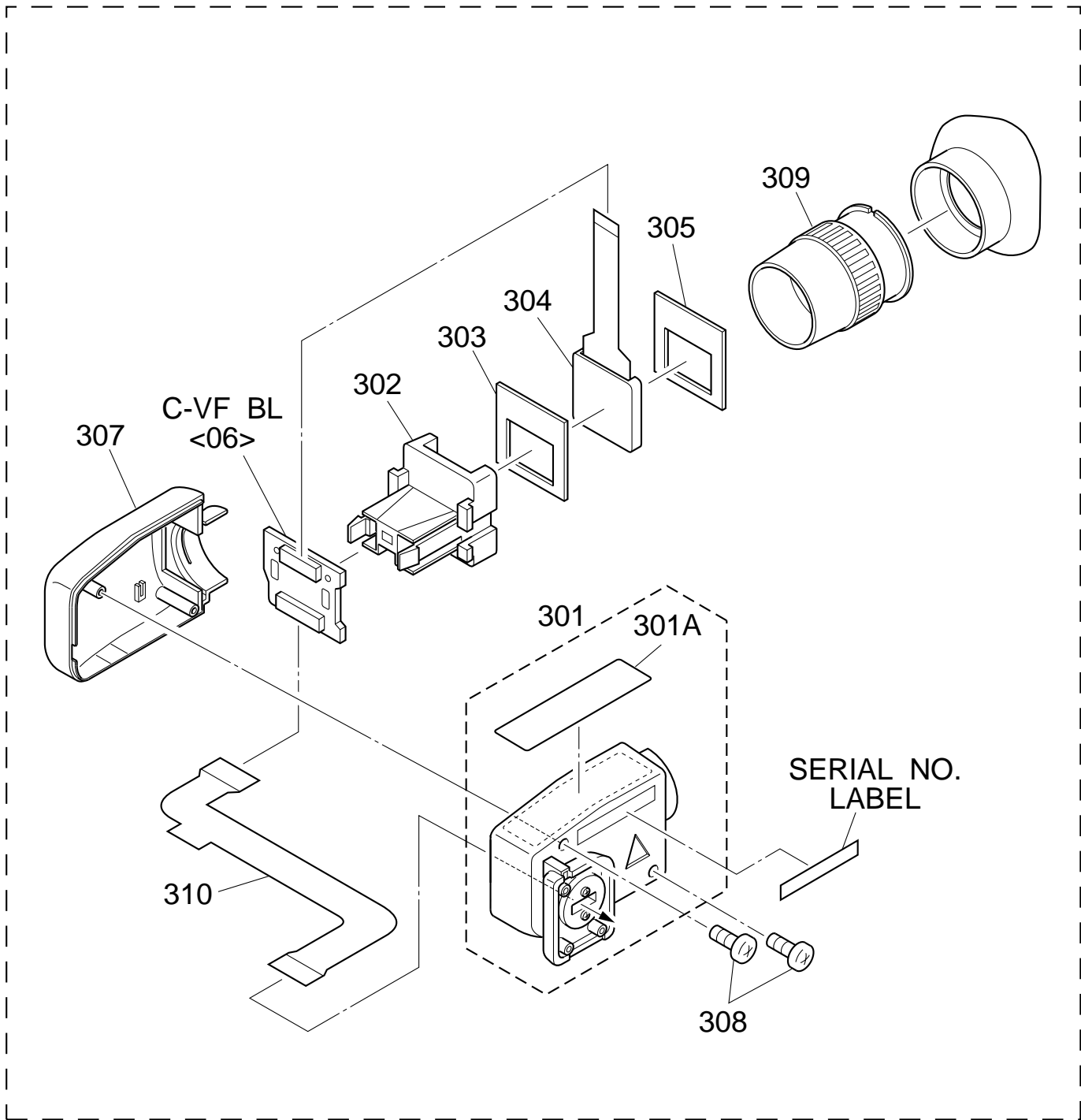
NOTE:The section marked in **AA** and **BB** indicate lubrication and greasing areas.

#	△ REF No.	PART No.	PART NAME, DESCRIPTION	#	△ REF No.	PART No.	PART NAME, DESCRIPTION

MECHANISM ASSEMBLY <M3>							
400		YMA0030A-E	MECHA(B)ASSY,A,B	453		YQ31861-1-7	REEL DISC
		YMA0031A-E	MECHA(B)ASSY,C,D,E,F	454		LY42755-001A	WASHER
401		LY20612-001A	MAIN DECK ASSY	455		LY31924-001A	TAKE-UP GEAR
402		LY31817-001A	CASS.GUIDE(L)	456		LY42738-001A	BRAKE SUB GEAR
403		LY31815-001A	SW.LEVER(L)	457		LY42754-003A	SLIT WASHER,X3
404		LY42581-001A	TORSION SPRING	458		LY42544-001A	A/C HEAD UNIT
405		LY42722-001A	SCREW	459		SPSN1750Z	SCREW,X2
406		YQ44339A-7	CASS.GUIDE(R)ASSY,C,D,E,F	460		LY42517-001A	EJECT LEVER ASSY
406A		YQ32162-1-3	SW.LEVER(R),C,D,E,F	461		LY42754-003A	SLIT WASHER
406B		YQ44340-1-4	TORSION SPRING,C,D,E,F	462		YQ31833-1-1	LED GUIDE
407		LY42819-001A	SCREW,C,D,E,F	463		LY42722-001A	SCREW
408		LY31826-001A	MOTOR BRACKET ASSY	464		LY42729-001A	DRUM SPACER
409		YQ20793	WORM BRACKET	465		LY42722-001A	SCREW,X2
410		LY42722-001A	SCREW,X3	466		QSW0888-001	ROTARY ENCODER,A,B
411		LY31925-001A	WHEEL GEAR			QSW0888-002	ROTARY ENCODER,C,D,E,F
412		LY42730-001A	MIDDLE GEAR	467		LY42722-002A	SCREW,X4
413		LY42521-001A	CANCEL LEVER ASSY	468		LY31814-001A	LINK LEVER
414		LY42754-003A	SLIT WASHER,X2	469		YDV2098A	DRUM ASSY
415		YQ20827-2-1	CONTROL CAM	469A		YDM1003-1-5	CATCHER
416		PQM30017-25	SLIT WASHER	469B		QYSPSPU1735M	SCREW,X2
417		LY42733-001A	LOADING GEAR(T)ASSY	470		LY42722-001A	SCREW,X2
418		LY42754-003A	SLIT WASHER	471		SPSH1740Z	SCREW,X2
419		LY42732-001A	LOADING GEAR(S)ASSY	472		YU42051	BRUSH
420		LY42754-003A	SLIT WASHER	473		LY42722-003A	SCREW
421		LY42403-001A	COVER PLATE				
422		LY42452-001A	LOADING RING ASSY				
423		LY42728-001A	SCREW,X4				
424		LY10239-001A	GUIDE RAIL				
425		LY42728-001A	SCREW,X8				
426		LY30161-001B	POLE BASE(S)ASSY				
427		LY30162-002A	POLE BASE(T)ASSY				
428		LY42523-001A	DRIVE LEVER ASSY				
429		LY42545-001A	SLANT ARM ASSY				
429A		LY42547-001A	TOR.SPRING(S)				
430		LY42754-003A	SLIT WASHER				
431		LY42739-001A	ROLLER BASE ASSY				
432		LY42722-001A	SCREW				
433		LY42494-001A	LINK ARM ASSY				
434		PQM30017-25	SLIT WASHER				
435		LY40018-002A	PINCH ROLLER ARM ASSY				
436		PQM30017-25	SLIT WASHER				
437		LY42541-001A	TAKE-UP GUIDE ARM ASSY				
438		LY42754-003A	SLIT WASHER				
439		LY42571-001A	TENSION ARM ASSY				
439A		LY42669-001A	TENSION SPRING				
440		LY42754-003A	SLIT WASHER				
441		YQ20797-1-5	MOTOR BASE				
442		LY42722-001A	SCREW,X2				
443		YQ44460	SCREW				
444		QAR0116-001	CAPSTAN MOTOR				
445		YQ44304	TAPPING SCREW,X3				
446		LY42731-001A	SLANT POLE BASE ASSY				
447		YQ44304	TAPPING SCREW				
448		YQ43710-2	TIMING BELT				
449		LY42678-001A	CENTER PULLEY UNIT				
450		LY42722-002A	SCREW,X2				
451		LY42670-001A	SUPPLY CLUTCH ASSY				
452		LY42754-003A	SLIT WASHER				

5.4 ELECTRONIC VIEWFINDER ASSEMBLY <M4> (SXM930U/UC)

300



△ REF No. PART No. PART NAME, DESCRIPTION

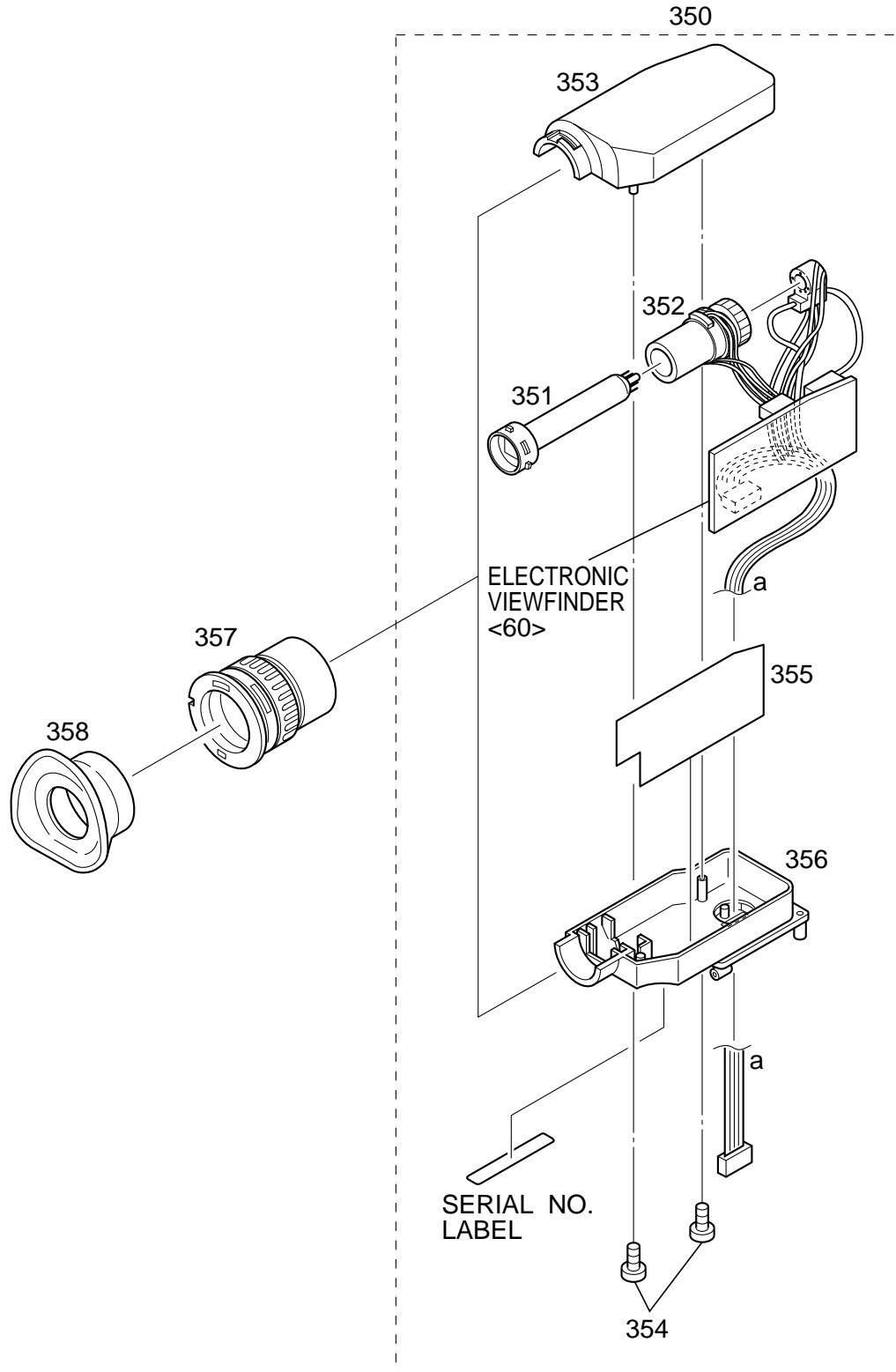
ELECTRONIC VIEWFINDER ASSEMBLY <M4> E,F

△	300	LYH20242-001A	E.VF ASSY
△	301	LY32068-001A	BOTTOM CASE ASSY
	301A	LY42882-001A	LABEL(COL/CAUT)
	302	LY31942-001A	HOLDER(LED)

△ REF No. PART No. PART NAME, DESCRIPTION

	303	LY42221-001C	SPACER(HOLDER)
	304	QLD0117-001	LCD MODULE
	305	LY42171-001A	SPACER(LED)
△	307	LY10137-001C	TOP CASE
	308	QYSPSGT1760D	TAP SCREW,X2
	309	LY20309-001B	EYE P. ASSY
	310	QAL0269-001	FPC

5.4 ELECTRONIC VIEWFINDER ASSEMBLY <M4> (AXM230U/UC/SXM330U/UC)

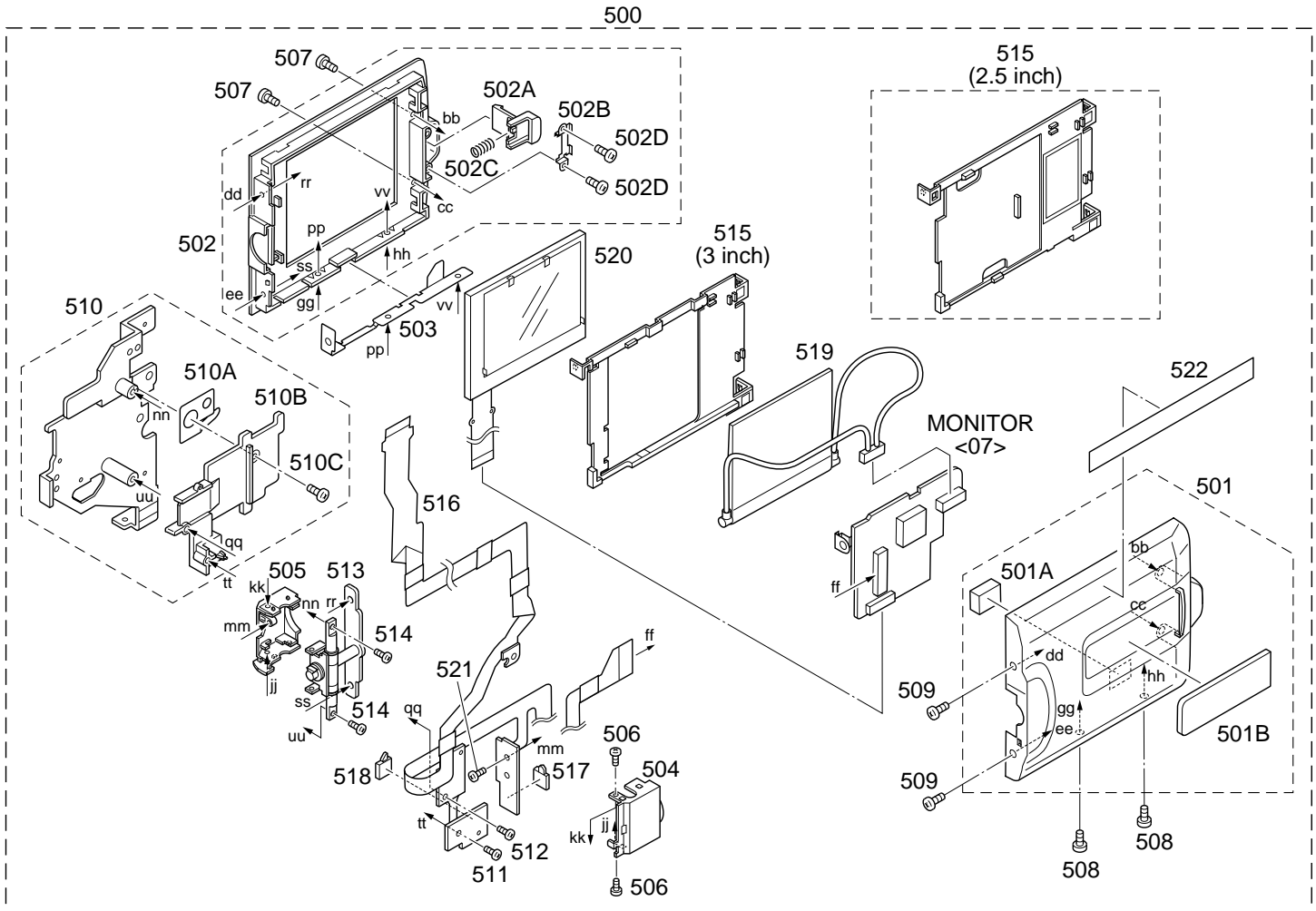


#	△ REF No.	PART No.	PART NAME, DESCRIPTION

ELECTRONIC VIEWFINDER ASSEMBLY <M4> A,B,C,D			
△	350	LY20701-001A	E.VF ASSY
△	351	PEDP0193	CRT
△	352	QQD0026-001	DEFLECTION YOKE

#	△ REF No.	PART No.	PART NAME, DESCRIPTION
△	353	LY10165-001B	CASE(L)
	354	QYSPSGU1760M	SCREW,X2
△	355	LY41280-001A	SHEET(SHIELD)
△	356	PTY20701-011	BOTTOM CASE ASSY
	357	PTY20374-201	LENS ASSY
	358	LY20411-001A	EYE CAP

5.5 MONITOR ASSEMBLY <M5>



△ REF No. PART No. PART NAME, DESCRIPTION

MONITOR ASSEMBLY <M5>

# △	REF No.	PART No.	PART NAME, DESCRIPTION
△	500	LYH20217-006A	MONITOR ASSY,A,B
△		LYH20217-014A	MONITOR ASSY,E,F
△		LYH20217-015A	MONITOR ASSY,C,D
△	501	LY20679-004A	M.COVER ASSY,A,B
△		LY20679-008A	M.COVER ASSY,E,F
△		LY20679-009A	M.COVER ASSY,C,D
	501A	LY30029-0B8A	SPACER(A)
	501B	LY32022-001A	WINDOW,C,D,E,F
		LY32022-003A	WINDOW,A,B
	502	LY32035-001A	M.CASE(3) ASSY,E,F
		LY32036-001A	M.CASE(2.5)ASSY,A,B,C,D
	502A	LY31954-001A	KNOB(LOCK)
	502B	LY42760-001A	BKT(LOCK)
	502C	LY30002-043A	COMPRES.SPRING
	502D	LY30018-063A	SPECIAL SCREW,X2
	503	LY31959-001A	BKT(M.CASE)
	504	LY31939-001A	HINGE COVER(U),E,F
		LY31939-003A	HINGE COVER(U),A,B
		LY31939-004A	HINGE COVER(U),C,D
	505	LY31940-001A	HINGE COVER(L)

# △	REF No.	PART No.	PART NAME, DESCRIPTION
	506	LY30018-0C9A	SPECIAL SCREW,X2
	507	LY30018-011A	SPECIAL SCREW,X2
	508	LY30018-0C9A	SPECIAL SCREW,X2
	509	LY30018-0C5A	SPECIAL SCREW,X2
	510	LY32034-003A	BKT(UPPER)ASSY
	510A	LY42761-001A	EARTH PLATE
	510B	LY20652-003A	HOLDER
	510C	QYSLSP2025D	SCREW
	511	QYSLSF2040D	SCREW
	512	QYSLSP2070D	SCREW
	513	LY31957-001A	HINGE ASSY
	514	LY30018-090A	SPECIAL SCREW,X2
	515	LY20647-001A	HOLDER(3 PWB),E,F
		LY20672-001B	HOLDER(2.5PWB),A,B,C,D
	516	QAL0268-002	FPC
	517	NSW0095-001X	DETECT SWITCH
	518	NSW0105-001X	DETECT SWITCH
	519	QLL0093-001	BACK LIGHT,A,B,C,D
		QLL0094-001	BACK LIGHT,E,F
	520	QLD0118-001	LCD MODULE,E,F
		QLD0176-001	LCD MODULE,A,B,C,D
	521	LY30018-063A	SPECIAL SCREW
	522	LY32059-001A	STICKER(B),A,B
		LY32059-002A	STICKER(B),C,D,E,F

5.6 ELECTRICAL PARTS LIST

MODEL	MARK	MODEL	MARK
GR-AXM230U	A	GR-SXM330UC	D
GR-AXM230UC	B	GR-SXM930U	E
GR-SXM330U	C	GR-SXM930UC	F

Δ REF No. PART No. PART NAME, DESCRIPTION

MAIN BOARD ASSEMBLY <01>

PW	YB10310UC-01	MAIN BOARD ASSY,A,B
	YB10310UD-01	MAIN BOARD ASSY,C,D
	YB10310UG-02	MAIN BOARD ASSY,E,F
IC101	UPD703039-028	IC(MICRO C ROM)
	or UPD70F3040-028	IC(MICRO C ROM)
IC102	TC7S86FU	IC(DIGITAL)
	or SN74AHC1G86K	IC
	or MC74VHC1G86DF	IC
IC104	AT25080N-10SC-X	IC
	or X25170S8I-2.5-X	IC
	or 25LC080-I/SN-X	IC
IC105	M62367GP	IC
IC106	IC-PST9327U-X	IC
IC107	RS5C314	IC
Δ IC1601	BD6630KV	IC
IC1801	PIC-26043S	IR DETECT UNIT,C,D,E,F
IC2001	MC74AC04DT	IC
IC2401	NJM2073M-XE	IC
IC3001	JCY0130	IC
IC3002	74HC1G04GW	IC
IC3501	HA118224F	IC
IC4001	JCY0149	IC
IC4002	TMS4C2973-28-X	IC,C,D,E,F
IC4003	UPD6467GR-506-X	IC(MICRO C ROM)
IC4201	UPC358G2/5-W	IC
IC4202	BA10324AF-XE	IC
IC4251	BA10358F-XE	IC
IC4501	UPD16835G3	IC
IC5201	HD49326BF	IC
IC5202	JCY0098	IC
IC6001	FA3698F	IC
IC7001	CXD3518R	IC,E,F
IC7002	MN5814	IC
IC7005	BA4558F	IC,E,F
IC7006	BA4558F	IC
IC7007	TC7S04FU	IC(DIGITAL),A,B,C,D
	or MC74VHC1G04DF	IC,A,B,C,D
	or SN74AHC1G04K	IC,A,B,C,D
IC7008	SN74LV4052APW	IC
Q101	2SA1774/RS/-X	TRANSISTOR
Q102	DTC144EE	TRANSISTOR
Q103	2SC4617/QR/-X	TRANSISTOR
Q104	DTC144EE	TRANSISTOR
Q105	2SA1774/RS/-X	TRANSISTOR
Q110	DTC144EE	TRANSISTOR
Q111	DTC114EE	TRANSISTOR
Q112	DTC114EE	TRANSISTOR
Q113	2SC4097/QR/-X	TRANSISTOR
Q2001	DTA114TE	TRANSISTOR
Q2007	PUMX1	PAIR TRANSISTOR
	or UMX1N	PAIR TRANSISTOR
	or HN1C01FU/G/-X	PAIR TRANSISTOR
Q2008	PUMT1	PAIR TRANSISTOR
	or HN1A01FU/G/-X	PAIR TRANSISTOR
Q2021	DTC144EE	TRANSISTOR
Q2022	DTC144EE	TRANSISTOR
Q2023	2SC4617/QR/-X	TRANSISTOR

# Δ REF No.	PART No.	PART NAME, DESCRIPTION
Q2071	2SC4617/QR/-X	TRANSISTOR
Q2401	DTC144EE	TRANSISTOR
Q2402	DTA144EE	TRANSISTOR
Q3002	PUMX1	PAIR TRANSISTOR
	or UMX1N	PAIR TRANSISTOR
	or HN1C01FU/G/-X	PAIR TRANSISTOR
Q3003	2SC4097/QR/-X	TRANSISTOR
Q3006	DTC144EE	TRANSISTOR,C,D,E,F
Q3501	HN1C01FU/G/-X	PAIR TRANSISTOR
Q3502	HN1C01FU/G/-X	PAIR TRANSISTOR
Q3505	DTC144EE	TRANSISTOR,C,D,E,F
Q3901	HN1A01FU/G/-X	PAIR TRANSISTOR
Q4201	2SC4617/QR/-X	TRANSISTOR
Q4251	RPM-22PB	PHOTO TRANSISTOR
Q4501	DTC114EE	TRANSISTOR
Q4701	PUMX1	PAIR TRANSISTOR
	or UMX1N	PAIR TRANSISTOR
	or HN1C01FU/G/-X	PAIR TRANSISTOR
Q4702	2SC4617/QR/-X	TRANSISTOR
Q4703	PUMX1	PAIR TRANSISTOR
	or UMX1N	PAIR TRANSISTOR
	or HN1C01FU/G/-X	PAIR TRANSISTOR
Q4704	PUMT1	PAIR TRANSISTOR
	or HN1A01FU/G/-X	PAIR TRANSISTOR
Q4705	2SC4617/QR/-X	TRANSISTOR,C,D,E,F
Q4706	2SC4617/QR/-X	TRANSISTOR,C,D,E,F
Q4707	2SC4617/QR/-X	TRANSISTOR,C,D,E,F
Q4711	PUMX1	PAIR TRANSISTOR,C,D,E,F
	or HN1C01FU/G/-X	PAIR TRANSISTOR,C,D,E,F
	or UMX1N	PAIR TRANSISTOR,C,D,E,F
Q4712	PUMT1	PAIR TRANSISTOR,C,D,E,F
	or HN1A01FU/G/-X	PAIR TRANSISTOR,C,D,E,F
Q4713	PUMX1	PAIR TRANSISTOR,C,D,E,F
	or UMX1N	PAIR TRANSISTOR,C,D,E,F
	or HN1C01FU/G/-X	PAIR TRANSISTOR,C,D,E,F
Q4714	PUMT1	PAIR TRANSISTOR,C,D,E,F
	or HN1A01FU/G/-X	PAIR TRANSISTOR,C,D,E,F
Q4715	PUMX1	PAIR TRANSISTOR,C,D,E,F
	or HN1C01FU/G/-X	PAIR TRANSISTOR,C,D,E,F
	or UMX1N	PAIR TRANSISTOR,C,D,E,F
Q6101	SSM6J07FU	MOS FET
Q6106	HN1C01FU/G/-X	PAIR TRANSISTOR
Q6107	SSM3J05FU	MOS FET
Q6201	SSM6J07FU	MOS FET
Q6301	CPH3304	MOS FET
Q6306	SSM3K02F	MOS FET
Q6307	2SC4617/QR/-X	TRANSISTOR
Q6308	CPH3101	TRANSISTOR
Q6401	SSM6J07FU	MOS FET
Q6501	SSM6J07FU	MOS FET
Q6601	CPH3304	MOS FET
Q6608	DTC144EE	TRANSISTOR
Q6621	HN1C01FU/G/-X	PAIR TRANSISTOR
Q6622	2SA1577/QR/-X	TRANSISTOR
Q6701	FX802	TRANSISTOR
Q6702	2SC4097/QR/-X	TRANSISTOR
Q6801	2SA1577/QR/-X	TRANSISTOR
Q6811	2SB1121/TU/-X	TRANSISTOR
Q7001	PUMX1	PAIR TRANSISTOR,E,F
Q7003	PUMX1	PAIR TRANSISTOR
Q7005	PUMX1	PAIR TRANSISTOR,E,F

#	△	REF No.	PART No.	PART NAME, DESCRIPTION	#	△	REF No.	PART No.	PART NAME, DESCRIPTION
		Q7011	PUMX1	PAIR TRANSISTOR			R138	NRSA63J-333X	MG RESISTOR 33kΩ,1/16W
		Q7013	PUMX1	PAIR TRANSISTOR			R139	NRSA63J-104X	MG RESISTOR 100kΩ,1/16W
		Q7015	PUMX1	PAIR TRANSISTOR			R140	NRSA63J-753X	MG RESISTOR 75kΩ,1/16W
		Q7017	2SC4617/QR/-X	TRANSISTOR			R141	NRSA63J-334X	MG RESISTOR 330kΩ,1/16W
		Q7018	2SA1774/QR/-X	TRANSISTOR			R142	NRSA63J-103X	MG RESISTOR 10kΩ,1/16W
		Q7019	2SC4617/QR/-X	TRANSISTOR			R143	NRSA63J-105X	MG RESISTOR 1MΩ,1/16W
		Q7020	2SA1774/QR/-X	TRANSISTOR			R144	NRSA63J-221X	MG RESISTOR 220Ω,1/16W
		Q7022	DTC144EE	TRANSISTOR,A,B,C,D			R145	NRSA63J-222X	MG RESISTOR 2.2kΩ,1/16W
△		D101	SB007W03Q	SB DIODE			R146	NRSA63J-474X	MG RESISTOR 470kΩ,1/16W
		D102	UDZS7.5B	ZENER DIODE			R147	NRSA63J-472X	MG RESISTOR 4.7kΩ,1/16W
		D105	1SS355	DIODE			R148	NRSA63J-0R0X	MG RESISTOR 0Ω,1/16W
		D106	1SS355	DIODE			R149	NRSA63J-104X	MG RESISTOR 100kΩ,1/16W
		D107	SB007W03Q	SB DIODE			R150	NRSA63J-222X	MG RESISTOR 2.2kΩ,1/16W
		D3001	DAN222	DIODE,C,D,E,F			R151	NRSA63J-222X	MG RESISTOR 2.2kΩ,1/16W
		D5201	1SS355	DIODE,C,D,E,F			R152	NRSA63J-474X	MG RESISTOR 470kΩ,1/16W
		D5202	1SS355	DIODE,A,B			R153	NRSA63J-474X	MG RESISTOR 470kΩ,1/16W
		D6001	CRS03	SB DIODE			R158	NRSA63J-474X	MG RESISTOR 470kΩ,1/16W
		D6101	CRS03	SB DIODE			R159	NRSA63J-474X	MG RESISTOR 470kΩ,1/16W
		D6106	1SS357	SB DIODE			R160	NRSA63J-474X	MG RESISTOR 470kΩ,1/16W
		D6201	CRS03	SB DIODE			R161	NRSA63J-104X	MG RESISTOR 100kΩ,1/16W
		D6301	CRS03	SB DIODE			R162	NRSA63J-472X	MG RESISTOR 4.7kΩ,1/16W
		D6401	CRS03	SB DIODE			R163	NRSA63J-221X	MG RESISTOR 220Ω,1/16W
		D6501	CRS03	SB DIODE			R164	NRSA63J-472X	MG RESISTOR 4.7kΩ,1/16W
		D6601	1SS383	SB DIODE			R166	NRSA63J-103X	MG RESISTOR 10kΩ,1/16W
		D6616	UDZS8.2B	ZENER DIODE			R167	NRSA63J-183X	MG RESISTOR 18kΩ,1/16W
		D7001	MA365	VARI CAP DIODE,E,F			R168	NRSA63J-562X	MG RESISTOR 5.6kΩ,1/16W
		D7002	MA365	VARI CAP DIODE			R170	NRSA63J-333X	MG RESISTOR 33kΩ,1/16W
		D7004	RB471E	SB DIODE			R171	NRSA63J-104X	MG RESISTOR 100kΩ,1/16W
		R101	NRSA63J-104X	MG RESISTOR 100kΩ,1/16W			R172	NRSA63J-151X	MG RESISTOR 150Ω,1/16W
△		R104	NRSA63J-102X	MG RESISTOR 1kΩ,1/16W			R173	NRSA63J-0R0X	MG RESISTOR 0Ω,1/16W
		R105	NRSA63J-103X	MG RESISTOR 10kΩ,1/16W			R174	NRSA63J-0R0X	MG RESISTOR 0Ω,1/16W
		R106	NRSA63J-561X	MG RESISTOR 560Ω,1/16W			R175	NRSA63J-105X	MG RESISTOR 1MΩ,1/16W
		R107	NRVA63D-153X	CMF RESISTOR 15kΩ,1/16W			R176	NRSA63J-221X	MG RESISTOR 220Ω,1/16W
		R108	NRVA63D-243X	CMF RESISTOR 24kΩ,1/16W			R180	NRSA63J-331X	MG RESISTOR 330Ω,1/16W
		R109	NRVA63D-183X	CMF RESISTOR 18kΩ,1/16W			R182	NRSA63J-222X	MG RESISTOR 2.2kΩ,1/16W
		R110	NRSA63J-103X	MG RESISTOR 10kΩ,1/16W			R183	NRSA63J-222X	MG RESISTOR 2.2kΩ,1/16W
		R111	NRSA63J-273X	MG RESISTOR 27kΩ,1/16W			R184	NRSA63J-222X	MG RESISTOR 2.2kΩ,1/16W
		R112	NRSA63J-331X	MG RESISTOR 330Ω,1/16W			R188	NRSA63J-222X	MG RESISTOR 2.2kΩ,1/16W
		R113	NRSA63J-562X	MG RESISTOR 5.6kΩ,1/16W			R190	NRSA63J-331X	MG RESISTOR 330Ω,1/16W
		R114	NRSA63J-821X	MG RESISTOR 820Ω,1/16W			R191	NRSA63J-0R0X	MG RESISTOR 0Ω,1/16W
		R115	NRSA63J-101X	MG RESISTOR 100Ω,1/16W			R192	NRSA63J-105X	MG RESISTOR 1MΩ,1/16W
		R116	NRSA63J-102X	MG RESISTOR 1kΩ,1/16W			R194	NRSA63J-0R0X	MG RESISTOR,E,F 0Ω,1/16W
		R118	NRSA63J-103X	MG RESISTOR 10kΩ,1/16W			R195	NRSA63J-0R0X	MG RESISTOR 0Ω,1/16W
		R119	NRSA63J-103X	MG RESISTOR 10kΩ,1/16W			R1601	NRV142F-R33X	CMF RESISTOR 0.33Ω,1/4W
		R120	NRSA63J-273X	MG RESISTOR 27kΩ,1/16W			R1602	NRV142F-R33X	CMF RESISTOR 0.33Ω,1/4W
		R121	NRSA63J-273X	MG RESISTOR 27kΩ,1/16W			R1603	NRSA63J-154X	MG RESISTOR 150kΩ,1/16W
		R122	NRSA63J-393X	MG RESISTOR 39kΩ,1/16W			R1604	NRSA63J-102X	MG RESISTOR 1kΩ,1/16W
		R123	NRSA63J-104X	MG RESISTOR 100kΩ,1/16W			R1605	NRSA63J-102X	MG RESISTOR 1kΩ,1/16W
		R124	NRSA63J-104X	MG RESISTOR 100kΩ,1/16W			R1606	NRSA63J-102X	MG RESISTOR 1kΩ,1/16W
		R125	NRSA63J-273X	MG RESISTOR 27kΩ,1/16W			R1607	NRSA63J-104X	MG RESISTOR 100kΩ,1/16W
		R126	NRSA63J-153X	MG RESISTOR 15kΩ,1/16W			R1608	NRSA63J-104X	MG RESISTOR 100kΩ,1/16W
		R127	NRSA63J-221X	MG RESISTOR 220Ω,1/16W			R1609	NRSA63J-333X	MG RESISTOR 33kΩ,1/16W
		R128	NRSA63J-102X	MG RESISTOR 1kΩ,1/16W			R1610	NRSA63J-103X	MG RESISTOR 10kΩ,1/16W
		R129	NRSA63J-102X	MG RESISTOR 1kΩ,1/16W			R1612	NRSA63J-392X	MG RESISTOR 3.9kΩ,1/16W
		R130	NRSA63J-105X	MG RESISTOR 1MΩ,1/16W			R1613	NRSA63J-104X	MG RESISTOR 100kΩ,1/16W
		R131	NRSA63J-105X	MG RESISTOR 1MΩ,1/16W			R1614	NRSA63J-333X	MG RESISTOR 33kΩ,1/16W
		R132	NRSA63J-105X	MG RESISTOR 1MΩ,1/16W			R1615	NRSA63J-103X	MG RESISTOR 10kΩ,1/16W
		R133	NRSA63J-105X	MG RESISTOR 1MΩ,1/16W			R1617	NRSA63J-183X	MG RESISTOR 18kΩ,1/16W
		R134	NRSA63J-105X	MG RESISTOR 1MΩ,1/16W			R1618	NRSA63J-154X	MG RESISTOR 150kΩ,1/16W
		R135	NRSA63J-104X	MG RESISTOR 100kΩ,1/16W			R1619	NRSA63J-471X	MG RESISTOR 470Ω,1/16W
		R136	NRSA63J-474X	MG RESISTOR 470kΩ,1/16W			R1620	NRSA63J-684X	MG RESISTOR 680kΩ,1/16W

#	△ REF No.	PART No.	PART NAME, DESCRIPTION	#	△ REF No.	PART No.	PART NAME, DESCRIPTION	
R1621		NRSA63J-102X	MG RESISTOR	1kΩ,1/16W	R3502	NRSA63J-102X	MG RESISTOR	1kΩ,1/16W
R1622		NRSA63J-224X	MG RESISTOR	220kΩ,1/16W	R3504	NRSA63J-102X	MG RESISTOR	1kΩ,1/16W
R1623		NRSA63J-223X	MG RESISTOR	22kΩ,1/16W	R3505	NRSA63J-102X	MG RESISTOR	1kΩ,1/16W
R1624		NRSA63J-104X	MG RESISTOR	100kΩ,1/16W	R3506	NRSA63J-102X	MG RESISTOR	1kΩ,1/16W
R1625		NRSA63J-104X	MG RESISTOR	100kΩ,1/16W	R3507	NRSA63J-0R0X	MG RESISTOR	0Ω,1/16W
R1626		NRSA63J-104X	MG RESISTOR	100kΩ,1/16W	R3508	NRSA63J-153X	MG RESISTOR	15kΩ,1/16W
R1628		NRSA63J-0R0X	MG RESISTOR	0Ω,1/16W	R3901	NRSA63J-100X	MG RESISTOR	10Ω,1/16W
R1629		NRSA63J-0R0X	MG RESISTOR	0Ω,1/16W	R3902	NRSA63J-101X	MG RESISTOR	100Ω,1/16W
R1630		NRSA63J-0R0X	MG RESISTOR	0Ω,1/16W	R3903	NRSA63J-182X	MG RESISTOR	1.8kΩ,1/16W
R1631		NRSA63J-122X	MG RESISTOR	1.2kΩ,1/16W	R4001	NRSA63J-113X	MG RESISTOR	11kΩ,1/16W
R1632		NRSA63J-153X	MG RESISTOR	15kΩ,1/16W	R4002	NRSA63J-123X	MG RESISTOR	12kΩ,1/16W
R1633		NRSA63J-683X	MG RESISTOR	68kΩ,1/16W	R4003	NRSA63J-153X	MG RESISTOR	15kΩ,1/16W
R2001		NRSA63J-104X	MG RESISTOR	100kΩ,1/16W	R4004	NRSA63J-103X	MG RESISTOR	10kΩ,1/16W
R2002		NRSA63J-332X	MG RESISTOR	3.3kΩ,1/16W	R4006	NRVA63D-103X	CMF RESISTOR	10kΩ,1/16W
R2003		NRSA63J-102X	MG RESISTOR	1kΩ,1/16W	R4007	NRVA63D-432X	CMF RESISTOR	4.3kΩ,1/16W
R2004		NRSA63J-681X	MG RESISTOR	680Ω,1/16W	R4008	NRVA63D-272X	CMF RESISTOR	2.7kΩ,1/16W
R2005		NRSA63J-272X	MG RESISTOR	2.7kΩ,1/16W	R4009	NRVA63D-152X	CMF RESISTOR	1.5kΩ,1/16W
R2006		NRSA63J-102X	MG RESISTOR	1kΩ,1/16W	R4010	NRVA63D-122X	CMF RESISTOR	1.2kΩ,1/16W
R2011		NRSA63J-101X	MG RESISTOR	100Ω,1/16W	R4011	NRVA63D-152X	CMF RESISTOR	1.5kΩ,1/16W
R2012		NRSA63J-101X	MG RESISTOR	100Ω,1/16W	R4012	NRVA63D-122X	CMF RESISTOR	1.2kΩ,1/16W
R2021		NRSA63J-103X	MG RESISTOR	10kΩ,1/16W	R4013	NRVA63D-152X	CMF RESISTOR	1.5kΩ,1/16W
R2022		NRSA63J-334X	MG RESISTOR	330kΩ,1/16W	R4014	NRVA63D-122X	CMF RESISTOR	1.2kΩ,1/16W
R2023		NRSA63J-151X	MG RESISTOR	150Ω,1/16W	R4035	NRSA63J-0R0X	MG RESISTOR	0Ω,1/16W
R2024		NRVA63D-133X	CMF RESISTOR	13kΩ,1/16W	R4037	NRSA63J-102X	MG RESISTOR	1kΩ,1/16W
R2025		NRSA63J-823X	MG RESISTOR	82kΩ,1/16W	R4038	NRSA63J-101X	MG RESISTOR,E,F	100Ω,1/16W
R2026		NRSA63J-0R0X	MG RESISTOR	0Ω,1/16W	R4201	NRSA63J-103X	MG RESISTOR	10kΩ,1/16W
R2027		NRSA63J-102X	MG RESISTOR	1kΩ,1/16W	R4202	NRSA63J-563X	MG RESISTOR	56kΩ,1/16W
R2028		NRSA63J-102X	MG RESISTOR	1kΩ,1/16W	R4203	NRSA63J-103X	MG RESISTOR	10kΩ,1/16W
R2029		NRSA63J-0R0X	MG RESISTOR	0Ω,1/16W	R4204	NRSA63J-331X	MG RESISTOR	330Ω,1/16W
R2030		NRSA63J-104X	MG RESISTOR	100kΩ,1/16W	R4205	NRSA63J-105X	MG RESISTOR	1MΩ,1/16W
R2031		NRSA63J-332X	MG RESISTOR	3.3kΩ,1/16W	R4206	NRSA63J-103X	MG RESISTOR	10kΩ,1/16W
R2032		NRSA63J-270X	MG RESISTOR	27Ω,1/16W	R4207	NRSA63J-104X	MG RESISTOR	100kΩ,1/16W
R2051		NRSA63J-102X	MG RESISTOR	1kΩ,1/16W	R4208	NRSA63J-472X	MG RESISTOR	4.7kΩ,1/16W
R2071		NRSA63J-473X	MG RESISTOR	47kΩ,1/16W	R4209	NRSA63J-104X	MG RESISTOR	100kΩ,1/16W
R2072		NRSA63J-562X	MG RESISTOR	5.6kΩ,1/16W	R4210	NRSA63J-105X	MG RESISTOR	1MΩ,1/16W
R2401		NRSA63J-683X	MG RESISTOR	68kΩ,1/16W	R4211	NRSA63J-243X	MG RESISTOR	24kΩ,1/16W
R2402		NRSA63J-122X	MG RESISTOR	1.2kΩ,1/16W	R4214	NRSA63J-472X	MG RESISTOR	4.7kΩ,1/16W
R2403		NRSA63J-2R2X	MG RESISTOR	2.2Ω,1/16W	R4215	NRSA63J-683X	MG RESISTOR	68kΩ,1/16W
R2404		NRSA63J-2R2X	MG RESISTOR	2.2Ω,1/16W	R4216	NRSA63J-103X	MG RESISTOR	10kΩ,1/16W
R2405		NRSA63J-473X	MG RESISTOR	47kΩ,1/16W	R4217	NRSA63J-102X	MG RESISTOR	1kΩ,1/16W
R2406		NRSA63J-473X	MG RESISTOR	47kΩ,1/16W	R4218	NRSA63J-102X	MG RESISTOR	1kΩ,1/16W
R3001		NRSA63J-105X	MG RESISTOR	1MΩ,1/16W	R4219	NRSA63J-104X	MG RESISTOR	100kΩ,1/16W
R3002		NRVA63D-471X	CMF RESISTOR	470Ω,1/16W	R4220	NRSA63J-152X	MG RESISTOR	1.5kΩ,1/16W
R3004		NRVA63D-273X	CMF RESISTOR	27kΩ,1/16W	R4221	NRSA63J-334X	MG RESISTOR	330kΩ,1/16W
R3006		NRVA63D-561X	CMF RESISTOR	560Ω,1/16W	R4222	NRSA63J-154X	MG RESISTOR	150kΩ,1/16W
R3007		NRVA63D-153X	CMF RESISTOR	15kΩ,1/16W	R4223	NRSA63J-333X	MG RESISTOR	33kΩ,1/16W
R3008		NRSA63J-393X	MG RESISTOR	39kΩ,1/16W	R4224	NRSA63J-223X	MG RESISTOR	22kΩ,1/16W
R3009		NRSA63J-272X	MG RESISTOR	2.7kΩ,1/16W	R4251	NRSA63J-182X	MG RESISTOR	1.8kΩ,1/16W
R3010		NRSA63J-332X	MG RESISTOR	3.3kΩ,1/16W	R4252	NRSA63J-103X	MG RESISTOR	10kΩ,1/16W
R3014		NRSA63J-681X	MG RESISTOR	680Ω,1/16W	R4253	NRSA63J-103X	MG RESISTOR	10kΩ,1/16W
R3015		NRSA63J-332X	MG RESISTOR	3.3kΩ,1/16W	R4254	NRSA63J-684X	MG RESISTOR	680kΩ,1/16W
R3016		NRSA63J-332X	MG RESISTOR	3.3kΩ,1/16W	R4255	NRSA63J-222X	MG RESISTOR	2.2kΩ,1/16W
R3018		NRSA63J-271X	MG RESISTOR	270Ω,1/16W	R4256	NRSA63J-824X	MG RESISTOR	820kΩ,1/16W
R3023		NRSA63J-331X	MG RESISTOR	330Ω,1/16W	R4257	NRSA63J-822X	MG RESISTOR	8.2kΩ,1/16W
R3027		NRSA63J-103X	MG RESISTOR,C,D,E,F	10kΩ,1/16W	R4258	NRSA63J-104X	MG RESISTOR	100kΩ,1/16W
R3028		NRVA63D-472X	CMF RESISTOR	4.7kΩ,1/16W	R4259	NRSA63J-683X	MG RESISTOR	68kΩ,1/16W
R3029		NRSA63J-0R0X	MG RESISTOR	0Ω,1/16W	R4262	NRSA63J-302X	MG RESISTOR	3kΩ,1/16W
R3030		NRSA63J-561X	MG RESISTOR	560Ω,1/16W	△ R4501	NRSA63J-6R8X	MG RESISTOR	6.8Ω,1/16W
R3034		NRSA63J-220X	MG RESISTOR	22Ω,1/16W	△ R4502	NRSA63J-6R8X	MG RESISTOR	6.8Ω,1/16W
R3038		NRSA63J-392X	MG RESISTOR	3.9kΩ,1/16W	△ R4503	NRSA63J-6R8X	MG RESISTOR	6.8Ω,1/16W
R3501		NRSA63J-0R0X	MG RESISTOR	0Ω,1/16W	△ R4504	NRSA63J-6R8X	MG RESISTOR	6.8Ω,1/16W

#	△ REF No.	PART No.	PART NAME, DESCRIPTION	#	△ REF No.	PART No.	PART NAME, DESCRIPTION
R4505		NRSA63J-271X	MG RESISTOR 270Ω,1/16W	R6011		NRSA63J-473X	MG RESISTOR 47kΩ,1/16W
R4507		NRSA63J-103X	MG RESISTOR 10kΩ,1/16W	R6012		NRSA63J-103X	MG RESISTOR 10kΩ,1/16W
R4508		NRSA63J-103X	MG RESISTOR 10kΩ,1/16W	R6015		NRSA63J-104X	MG RESISTOR 100kΩ,1/16W
R4514		NRSA63J-223X	MG RESISTOR 22kΩ,1/16W	R6016		NRSA63J-104X	MG RESISTOR 100kΩ,1/16W
R4515		NRSA63J-182X	MG RESISTOR 1.8kΩ,1/16W	R6019		NRSA63J-222X	MG RESISTOR 2.2kΩ,1/16W
R4701		NRSA63J-0R0X	MG RESISTOR,A,B 0Ω,1/16W	R6103		NRVA63D-223X	CMF RESISTOR 22kΩ,1/16W
R4702		NRSA63J-101X	MG RESISTOR,C,D,E,F 100Ω,1/16W	R6104		NRVA63D-103X	CMF RESISTOR 10kΩ,1/16W
		NRSA63J-750X	MG RESISTOR ,A,B 75Ω,1/16W	R6106		NRSA63J-333X	MG RESISTOR 33kΩ,1/16W
R4703		NRVA63D-561X	CMF RESISTOR 560Ω,1/16W	R6107		NRSA63J-222X	MG RESISTOR 2.2kΩ,1/16W
R4704		NRVA63D-272X	CMF RESISTOR 2.7kΩ,1/16W	R6108		NRVA63D-153X	CMF RESISTOR 15kΩ,1/16W
R4705		NRVA63D-472X	CMF RESISTOR 4.7kΩ,1/16W	R6109		NRVA63D-103X	CMF RESISTOR 10kΩ,1/16W
R4706		NRSA63J-681X	MG RESISTOR 680Ω,1/16W	R6110		NRSA63J-0R0X	MG RESISTOR 0Ω,1/16W
R4707		NRSA63J-122X	MG RESISTOR 1.2kΩ,1/16W	R6203		NRVA63D-103X	CMF RESISTOR 10kΩ,1/16W
R4708		NRSA63J-104X	MG RESISTOR 100kΩ,1/16W	R6204		NRVA63D-103X	CMF RESISTOR 10kΩ,1/16W
R4709		NRSA63J-332X	MG RESISTOR 3.3kΩ,1/16W	R6303		NRVA63D-183X	CMF RESISTOR 18kΩ,1/16W
R4710		NRSA63J-332X	MG RESISTOR 3.3kΩ,1/16W	R6304		NRVA63D-472X	CMF RESISTOR 4.7kΩ,1/16W
R4711		NRSA63J-151X	MG RESISTOR,C,D,E,F 150Ω,1/16W	R6306		NRS12BK-R47W	MG RESISTOR 0.47Ω,1/2W
R4712		NRVA63D-511X	CMF RESISTOR,C,D,E,F 510Ω,1/16W	R6307		NRSA63J-104X	MG RESISTOR 100kΩ,1/16W
R4713		NRSA63J-681X	MG RESISTOR,C,D,E,F 680Ω,1/16W	R6309		NRSA63J-103X	MG RESISTOR 10kΩ,1/16W
R4714		NRSA63J-122X	MG RESISTOR,C,D,E,F 1.2kΩ,1/16W	R6310		NRSA63J-152X	MG RESISTOR 1.5kΩ,1/16W
R4715		NRSA63J-0R0X	MG RESISTOR,C,D,E,F 0Ω,1/16W	R6311		NRSA63J-473X	MG RESISTOR 47kΩ,1/16W
R4716		NRVA63D-621X	CMF RESISTOR,C,D,E,F 620Ω,1/16W	R6403		NRSA63J-473X	MG RESISTOR 47kΩ,1/16W
R4717		NRVA63D-222X	CMF RESISTOR,C,D,E,F 2.2kΩ,1/16W	R6404		NRSA63J-302X	MG RESISTOR 3kΩ,1/16W
R4718		NRSA63J-104X	MG RESISTOR,C,D,E,F 100kΩ,1/16W	R6406		NRSA63J-183X	MG RESISTOR 18kΩ,1/16W
R4719		NRSA63J-222X	MG RESISTOR,C,D,E,F 2.2kΩ,1/16W	R6407		NRSA63J-823X	MG RESISTOR 82kΩ,1/16W
R4720		NRSA63J-0R0X	MG RESISTOR,A,B 0Ω,1/16W	R6503		NRSA63J-243X	MG RESISTOR 24kΩ,1/16W
R4721		NRVA63D-750X	CMF RESISTOR,C,D,E,F 75Ω,1/16W	R6504		NRSA63J-332X	MG RESISTOR 3.3kΩ,1/16W
R4722		NRVA63D-680X	CMF RESISTOR,C,D,E,F 68Ω,1/16W	R6506		NRSA63J-223X	MG RESISTOR 22kΩ,1/16W
		NRVA63D-750X	CMF RESISTOR,A,B 75Ω,1/16W	R6507		NRSA63J-823X	MG RESISTOR 82kΩ,1/16W
R4723		NRVA63D-680X	CMF RESISTOR,C,D,E,F 68Ω,1/16W	R6603		NRVA63D-683X	CMF RESISTOR 68kΩ,1/16W
R4735		NRSA63J-332X	MG RESISTOR,C,D,E,F 3.3kΩ,1/16W	R6604		NRVA63D-392X	CMF RESISTOR 3.9kΩ,1/16W
R4736		NRSA63J-332X	MG RESISTOR,C,D,E,F 3.3kΩ,1/16W	R6605		NRSA63J-274X	MG RESISTOR 270kΩ,1/16W
R4737		NRSA63J-104X	MG RESISTOR,C,D,E,F 100kΩ,1/16W	R6606		NRSA63J-272X	MG RESISTOR 2.7kΩ,1/16W
R4738		NRSA63J-332X	MG RESISTOR,C,D,E,F 3.3kΩ,1/16W	R6612		NRSA63J-823X	MG RESISTOR 82kΩ,1/16W
R4739		NRSA63J-332X	MG RESISTOR,C,D,E,F 3.3kΩ,1/16W	R6613		NRSA63J-104X	MG RESISTOR 100kΩ,1/16W
R4741		NRVA63D-152X	CMF RESISTOR,C,D,E,F 1.5kΩ,1/16W	R6614		NRSA63J-472X	MG RESISTOR 4.7kΩ,1/16W
R4743		NRVA63D-223X	CMF RESISTOR,C,D,E,F 22kΩ,1/16W	R6616		NRSA63J-102X	MG RESISTOR 1kΩ,1/16W
R4744		NRVA63D-222X	CMF RESISTOR,C,D,E,F 2.2kΩ,1/16W	R6622		NRVA63D-104X	CMF RESISTOR 100kΩ,1/16W
R4745		NRSA63J-471X	MG RESISTOR,C,D,E,F 470Ω,1/16W	R6623		NRVA63D-473X	CMF RESISTOR 47kΩ,1/16W
R4746		NRVA63D-222X	CMF RESISTOR,C,D,E,F 2.2kΩ,1/16W	R6624		NRSA63J-273X	MG RESISTOR 27kΩ,1/16W
R4747		NRVA63D-471X	CMF RESISTOR,C,D,E,F 470Ω,1/16W	R6625		NRSA63J-822X	MG RESISTOR 8.2kΩ,1/16W
R5201		NRSA63J-243X	MG RESISTOR 24kΩ,1/16W	R6626		NRVA63D-563X	CMF RESISTOR 56kΩ,1/16W
R5202		NRSA63J-220X	MG RESISTOR 22Ω,1/16W	R6627		NRVA63D-363X	CMF RESISTOR 36kΩ,1/16W
R5204		NRSA63J-0R0X	MG RESISTOR 0Ω,1/16W	R6701		NRSA63J-680X	MG RESISTOR 68Ω,1/16W
R5212		NRSA63J-101X	MG RESISTOR 100Ω,1/16W	R6702		NRSA63J-221X	MG RESISTOR 220Ω,1/16W
R5213		NRSA63J-101X	MG RESISTOR 100Ω,1/16W	R6704		NRVA63D-472X	CMF RESISTOR 4.7kΩ,1/16W
R5214		NRSA63J-101X	MG RESISTOR 100Ω,1/16W	R6706		NRZ0058-R20X	MG RESISTOR 0.2Ω,1/2W
R5215		NRSA63J-104X	MG RESISTOR 100kΩ,1/16W	R6707		NRS016J-121X	MG RESISTOR 120Ω,1W
R5216		NRSA63J-100X	MG RESISTOR 10Ω,1/16W	R6708		NRS016J-121X	MG RESISTOR 120Ω,1W
R5217		NRSA63J-104X	MG RESISTOR,C,D,E,F 100kΩ,1/16W	R6709		NRS016J-121X	MG RESISTOR 120Ω,1W
R5218		NRSA63J-0R0X	MG RESISTOR 0Ω,1/16W	R6710		NRVA63D-823X	CMF RESISTOR 82kΩ,1/16W
R5220		NRSA63J-0R0X	MG RESISTOR 0Ω,1/16W	R6711		NRVA63D-333X	CMF RESISTOR 33kΩ,1/16W
R6001		NRSA63J-104X	MG RESISTOR 100kΩ,1/16W	R6712		NRSA63J-222X	MG RESISTOR 2.2kΩ,1/16W
R6002		NRSA63J-333X	MG RESISTOR 33kΩ,1/16W	R6713		NRSA63J-562X	MG RESISTOR 5.6kΩ,1/16W
R6003		NRVA63D-912X	CMF RESISTOR 9.1kΩ,1/16W	R6801		NRSA63J-102X	MG RESISTOR 1kΩ,1/16W
R6004		NRVA63D-471X	CMF RESISTOR 470Ω,1/16W	R6803		NRVA63D-223X	CMF RESISTOR 22kΩ,1/16W
R6005		NRVA63D-183X	CMF RESISTOR 18kΩ,1/16W	R6804		NRVA63D-103X	CMF RESISTOR 10kΩ,1/16W
R6006		NRSA63J-472X	MG RESISTOR 4.7kΩ,1/16W	R6810		NRSA63J-0R0X	MG RESISTOR 0Ω,1/16W
R6008		NRVA63D-183X	CMF RESISTOR 18kΩ,1/16W	R6811		NRSA63J-102X	MG RESISTOR 1kΩ,1/16W
R6009		NRSA63J-224X	MG RESISTOR 220kΩ,1/16W	R6813		NRVA63D-104X	CMF RESISTOR 100kΩ,1/16W
R6010		NRSA63J-473X	MG RESISTOR 47kΩ,1/16W	R6814		NRVA63D-683X	CMF RESISTOR 68kΩ,1/16W

#	▲ REF No.	PART No.	PART NAME, DESCRIPTION		#	▲ REF No.	PART No.	PART NAME, DESCRIPTION	
	R6820	NRSA63J-102X	MG RESISTOR	1kΩ,1/16W		R7116	NRVA63D-332X	CMF RESISTOR	3.3kΩ,1/16W
	R7002	NRSA63J-102X	MG RESISTOR,E,F	1kΩ,1/16W		R7118	NRVA63D-223X	CMF RESISTOR	22kΩ,1/16W
	R7003	NRSA63J-103X	MG RESISTOR,E,F	10kΩ,1/16W		R7120	NRVA63D-332X	CMF RESISTOR	3.3kΩ,1/16W
	R7004	NRSA63J-333X	MG RESISTOR,E,F	33kΩ,1/16W		R7122	NRVA63D-223X	CMF RESISTOR	22kΩ,1/16W
	R7005	NRSA63J-103X	MG RESISTOR,E,F	10kΩ,1/16W		R7124	NRVA63D-103X	CMF RESISTOR	10kΩ,1/16W
	R7007	NRVA63D-473X	CMF RESISTOR,E,F	47kΩ,1/16W		R7127	NRVA63D-103X	CMF RESISTOR,E,F	10kΩ,1/16W
	R7008	NRVA63D-913X	CMF RESISTOR,E,F	91kΩ,1/16W		R7128	NRVA63D-103X	CMF RESISTOR	10kΩ,1/16W
	R7009	NRSA63J-0R0X	MG RESISTOR,E,F	0Ω,1/16W		R7129	NRVA63D-103X	CMF RESISTOR	10kΩ,1/16W
	R7010	NRSA63J-0R0X	MG RESISTOR	0Ω,1/16W		R7130	NRVA63D-103X	CMF RESISTOR	10kΩ,1/16W
	R7014	NRSA63J-0R0X	MG RESISTOR,E,F	0Ω,1/16W		R7131	NRVA63D-103X	CMF RESISTOR	10kΩ,1/16W
	R7021	NRSA63J-0R0X	MG RESISTOR,E,F	0Ω,1/16W		R7132	NRVA63D-103X	CMF RESISTOR	10kΩ,1/16W
	R7029	NRSA63J-0R0X	MG RESISTOR,E,F	0Ω,1/16W		R7139	NRVA63D-911X	CMF RESISTOR,A,B,C,D	910Ω,1/16W
	R7031	NRSA63J-474X	MG RESISTOR	470kΩ,1/16W		R7142	NRSA63J-0R0X	MG RESISTOR,E,F	0Ω,1/16W
	R7032	NRSA63J-223X	MG RESISTOR	22kΩ,1/16W		R7143	NRSA63J-0R0X	MG RESISTOR,A,B,C,D	0Ω,1/16W
	R7033	NRSA63J-104X	MG RESISTOR	100kΩ,1/16W		RA101	NRZ0038-222X	NET RESISTOR	2.2kΩ
	R7035	NRSA63J-103X	MG RESISTOR	10kΩ,1/16W		RA102	NRZ0038-222X	NET RESISTOR	2.2kΩ
	R7040	NRVA63D-333X	CMF RESISTOR	33kΩ,1/16W		RA103	NRZ0038-222X	NET RESISTOR	2.2kΩ
	R7042	NRVA63D-123X	CMF RESISTOR	12kΩ,1/16W		RA104	NRZ0038-222X	NET RESISTOR	2.2kΩ
	R7043	NRVA63D-123X	CMF RESISTOR	12kΩ,1/16W		RA105	NRZ0038-473X	NET RESISTOR	47kΩ
	R7044	NRVA63D-432X	CMF RESISTOR,E,F	4.3kΩ,1/16W		RA106	NRZ0037-331X	NET RESISTOR	330Ω
		NRVA63D-752X	CMF RESISTOR,A,B,C,D	7.5kΩ,1/16W		RA107	NRZ0034-102W	NET RESISTOR	1kΩ
	R7045	NRVA63D-103X	CMF RESISTOR	10kΩ,1/16W		RA108	NRZ0034-102W	NET RESISTOR	1kΩ
	R7046	NRSA63J-103X	MG RESISTOR,A,B,C,D	10kΩ,1/16W		RA109	NRZ0038-474X	NET RESISTOR	47kΩ
	R7049	NRSA63J-680X	MG RESISTOR	68Ω,1/16W		RA4001	NRZ0034-100W	NET RESISTOR,E,F	10Ω
	R7050	NRSA63J-680X	MG RESISTOR	68Ω,1/16W		RA4002	NRZ0034-100W	NET RESISTOR,E,F	10Ω
	R7051	NRSA63J-680X	MG RESISTOR	68Ω,1/16W		RA4003	NRZ0034-100W	NET RESISTOR,E,F	10Ω
	R7058	NRSA63J-0R0X	MG RESISTOR	0Ω,1/16W		C102	NCF31EZ-104X	CAPACITOR	0.1μF,25V
	R7061	NRVA63D-183X	CMF RESISTOR,E,F	18kΩ,1/16W		C103	NBE41AM-106X	T CAPACITOR	10μF,10V
	R7062	NRVA63D-334X	CMF RESISTOR,E,F	330kΩ,1/16W		C104	NCB31EK-103X	CAPACITOR	0.01μF,25V
	R7067	NRVA63J-223X	MG RESISTOR,A,B,C,D	22kΩ,1/16W		C105	NCB31CK-104X	CAPACITOR	0.1μF,16V
		NRSA63J-682X	MG RESISTOR,E,F	6.8kΩ,1/16W		C106	NCF31EZ-104X	CAPACITOR	0.1μF,25V
	R7068	NRSA63J-223X	MG RESISTOR	22kΩ,1/16W		C107	NCB31EK-103X	CAPACITOR	0.01μF,25V
	R7069	NRSA63J-223X	MG RESISTOR	22kΩ,1/16W		C108	NBE21AM-225X	T CAPACITOR	2.2μF,10V
	R7070	NRSA63J-223X	MG RESISTOR	22kΩ,1/16W		C109	NBE41AM-106X	T CAPACITOR	10μF,10V
	R7071	NRSA63J-223X	MG RESISTOR	22kΩ,1/16W		C110	NDC31HJ-101X	CAPACITOR	100pF,50V
	R7072	NRSA02J-122X	MG RESISTOR,E,F	1.2kΩ,1/10W		C111	NEA70JM-226X	E CAPACITOR	22μF,6.3V
		NRSA02J-182X	MG RESISTOR,A,B,C,D	1.8kΩ,1/10W		C112	NEA70JM-226X	E CAPACITOR	22μF,6.3V
	R7073	NRSA02J-331X	MG RESISTOR,A,B,C,D	330Ω,1/10W		C113	NCB31EK-103X	CAPACITOR	0.01μF,25V
		NRSA02J-821X	MG RESISTOR,E,F	820Ω,1/10W		C114	NCB31EK-103X	CAPACITOR	0.01μF,25V
	R7074	NRSA63J-103X	MG RESISTOR	10kΩ,1/16W		C115	NCF31EZ-104X	CAPACITOR	0.1μF,25V
	R7077	NRVA63D-682X	CMF RESISTOR	6.8kΩ,1/16W		C116	NCB31EK-103X	CAPACITOR	0.01μF,25V
	R7078	NRVA63D-822X	CMF RESISTOR,E,F	8.2kΩ,1/16W		C118	NCF31EZ-104X	CAPACITOR	0.1μF,25V
	R7079	NRSA63J-0R0X	MG RESISTOR,E,F	0Ω,1/16W		C119	NCB31EK-103X	CAPACITOR	0.01μF,25V
	R7083	NRSA63J-105X	MG RESISTOR	1MΩ,1/16W		C120	NCB31EK-103X	CAPACITOR	0.01μF,25V
	R7085	NRVA63D-822X	CMF RESISTOR,E,F	8.2kΩ,1/16W		C121	NCF31EZ-104X	CAPACITOR	0.1μF,25V
	R7086	NRVA63D-123X	CMF RESISTOR	12kΩ,1/16W		C122	NCF31EZ-104X	CAPACITOR	0.1μF,25V
	R7088	NRVA63D-223X	CMF RESISTOR,E,F	22kΩ,1/16W		C123	NDC31HJ-100X	CAPACITOR	10pF,50V
	R7090	NRVA63D-822X	CMF RESISTOR,E,F	8.2kΩ,1/16W		C124	NDC31HJ-100X	CAPACITOR	10pF,50V
	R7091	NRVA63D-123X	CMF RESISTOR	12kΩ,1/16W		C125	NCB31EK-103X	CAPACITOR	0.01μF,25V
	R7093	NRVA63D-223X	CMF RESISTOR	22kΩ,1/16W		C126	NDC31HJ-120X	CAPACITOR	12pF,50V
	R7095	NRVA63D-822X	CMF RESISTOR,E,F	8.2kΩ,1/16W		C127	NCB31CK-333X	CAPACITOR	0.033μF,16V
	R7096	NRVA63D-123X	CMF RESISTOR	12kΩ,1/16W		C128	NCB21CK-474X	CAPACITOR	0.47μF,16V
	R7098	NRVA63D-223X	CMF RESISTOR,E,F	22kΩ,1/16W		C129	NCB31CK-333X	CAPACITOR	0.033μF,16V
	R7099	NRVA63D-103X	CMF RESISTOR,E,F	10kΩ,1/16W		C131	NCF31EZ-104X	CAPACITOR	0.1μF,25V
	R7100	NRVA63D-103X	CMF RESISTOR,E,F	10kΩ,1/16W		C132	NCF31EZ-104X	CAPACITOR	0.1μF,25V
	R7101	NRVA63D-103X	CMF RESISTOR,E,F	10kΩ,1/16W		C133	NCF31EZ-104X	CAPACITOR	0.1μF,25V
	R7102	NRVA63D-103X	CMF RESISTOR,E,F	10kΩ,1/16W		C134	NCF31EZ-104X	CAPACITOR	0.1μF,25V
	R7103	NRVA63D-103X	CMF RESISTOR,E,F	10kΩ,1/16W		C1201	NCB31HK-102X	CAPACITOR	0.001μF,50V
	R7110	NRSA63J-105X	MG RESISTOR	1MΩ,1/16W		C1202	NBE20JM-106X	T CAPACITOR	10μF,6.3V
	R7112	NRVA63D-332X	CMF RESISTOR	3.3kΩ,1/16W		C1205	NCB31EK-153X	CAPACITOR	0.015μF,25V
	R7114	NRVA63D-223X	CMF RESISTOR	22kΩ,1/16W		C1206	NBE20JM-106X	T CAPACITOR	10μF,6.3V

#	△ REF No.	PART No.	PART NAME, DESCRIPTION	#	△ REF No.	PART No.	PART NAME, DESCRIPTION
C1601		NCB31EK-103X	CAPACITOR 0.01μF,25V	C3014		NCF31EZ-104X	CAPACITOR 0.1μF,25V
C1602		NCB21CK-224X	CAPACITOR 0.22μF,16V	C3015		NCF31EZ-104X	CAPACITOR 0.1μF,25V
C1603		NCB31CK-223X	CAPACITOR 0.022μF,16V	C3017		NCF31EZ-104X	CAPACITOR 0.1μF,25V
C1604		NCB31CK-223X	CAPACITOR 0.022μF,16V	C3019		NCB31EK-103X	CAPACITOR 0.01μF,25V
C1605		NCB31CK-223X	CAPACITOR 0.022μF,16V	C3020		NCB31EK-103X	CAPACITOR 0.01μF,25V
C1606		NCB31CK-104X	CAPACITOR 0.1μF,16V	C3027		NCB31EK-103X	CAPACITOR 0.01μF,25V
C1607		NCB31CK-104X	CAPACITOR 0.1μF,16V	C3028		NCB31EK-103X	CAPACITOR 0.01μF,25V
C1608		NCB31CK-683X	CAPACITOR 0.068μF,16V	C3033		NCB31CK-104X	CAPACITOR,C,D,E,F 0.1μF,16V
C1609		NCB31CK-104X	CAPACITOR 0.1μF,16V	C3037		NDC31HJ-100X	CAPACITOR 10pF,50V
C1610		NCB31CK-104X	CAPACITOR 0.1μF,16V	C3506		NCB31EK-103X	CAPACITOR 0.01μF,25V
C1611		NCB31CK-104X	CAPACITOR 0.1μF,16V	C3507		NCB31EK-103X	CAPACITOR 0.01μF,25V
C1612		NDC31HJ-331X	CAPACITOR 330pF,50V	C3508		NCB31EK-103X	CAPACITOR 0.01μF,25V
C1613		NCB21CK-334X	CAPACITOR 0.33μF,16V	C3510		NCB31CK-104X	CAPACITOR 0.1μF,16V
C1614		NBE41AM-226X	T CAPACITOR 22μF,10V	C3512		NCB10JK-106X	CAPACITOR 10μF,6.3V
C1615		NCB31HK-681X	CAPACITOR 680pF,50V	C3513		NCB31CK-223X	CAPACITOR 0.022μF,16V
C1616		NCB21CK-474X	CAPACITOR 0.47μF,16V	C3514		NCB21CK-105X	CAPACITOR 1μF,16V
C1617		NCB31HK-152X	CAPACITOR 0.0015μF,50V	C3515		NCB31EK-103X	CAPACITOR 0.01μF,25V
C1618		NBE21AM-106X	T CAPACITOR 10μF,10V	C3902		NCB31EK-103X	CAPACITOR 0.01μF,25V
C1619		NCB31CK-223X	CAPACITOR 0.022μF,16V	C3903		NDC31HJ-3R0X	CAPACITOR 3pF,50V
C1621		NBP41CM-106X	T CAPACITOR 10μF,16V	C4006		NCF31EZ-104X	CAPACITOR 0.1μF,25V
C2001		NBE20JM-106X	T CAPACITOR 10μF,6.3V	C4008		NCF31EZ-104X	CAPACITOR 0.1μF,25V
C2002		NFV41HJ-183X	MPPS CAPACITOR 0.018μF,50V	C4009		NCF31EZ-104X	CAPACITOR 0.1μF,25V
C2003		NDC31HJ-331X	CAPACITOR 330pF,50V	C4010		NCF31EZ-104X	CAPACITOR 0.1μF,25V
C2004		NBE20JM-226X	T CAPACITOR 22μF,6.3V	C4012		NCF31EZ-104X	CAPACITOR 0.1μF,25V
C2005		NCB21CK-105X	CAPACITOR 1μF,16V	C4014		NCF31EZ-104X	CAPACITOR 0.1μF,25V
C2021		NCB31EK-682X	CAPACITOR 0.0068μF,25V	C4017		NCF31EZ-104X	CAPACITOR 0.1μF,25V
C2022		NBE20JM-106X	T CAPACITOR 10μF,6.3V	C4019		NCF31EZ-104X	CAPACITOR 0.1μF,25V
C2023		NBP21CM-105X	T CAPACITOR 1μF,16V	C4022		NCF31EZ-104X	CAPACITOR 0.1μF,25V
C2024		NCB31HK-122X	CAPACITOR 0.0012μF,50V	C4024		NCF31EZ-104X	CAPACITOR 0.1μF,25V
C2025		NCB30JK-105X	CAPACITOR 1μF,6.3V	C4028		NCF31EZ-104X	CAPACITOR 0.1μF,25V
C2026		NCB31HK-222X	CAPACITOR 0.0022μF,50V	C4029		NCF31EZ-104X	CAPACITOR 0.1μF,25V
C2027		NCB30JK-474X	CAPACITOR 0.47μF,6.3V	C4030		NCF31EZ-104X	CAPACITOR 0.1μF,25V
C2028		NCB30JK-105X	CAPACITOR 1μF,6.3V	C4036		NCF31EZ-104X	CAPACITOR 0.1μF,25V
C2029		NCB30JK-105X	CAPACITOR 1μF,6.3V	C4040		NCB21CK-105X	CAPACITOR,C,D,E,F 1μF,16V
C2031		NCB31CK-104X	CAPACITOR 0.1μF,16V	C4044		NCB21CK-105X	CAPACITOR 1μF,16V
C2032		NCB31HK-472X	CAPACITOR 0.0047μF,50V	C4048		NCB10JK-106X	CAPACITOR 10μF,6.3V
C2033		NBE20JM-475X	T CAPACITOR 4.7μF,6.3V	C4049		NDC31HJ-100X	CAPACITOR 10pF,50V
C2034		NCB31CK-104X	CAPACITOR 0.1μF,16V	C4051		NDC31HJ-221X	CAPACITOR 220pF,50V
C2035		NBE20JM-226X	T CAPACITOR 22μF,6.3V	C4201		NEA71HM-225X	E CAPACITOR 2.2μF,50V
C2036		NBE20JM-106X	T CAPACITOR 10μF,6.3V	C4202		NCF31EZ-104X	CAPACITOR 0.1μF,25V
C2037		NBE20JM-226X	T CAPACITOR 22μF,6.3V	C4203		NCB31CK-104X	CAPACITOR 0.1μF,16V
C2038		NCB30JK-474X	CAPACITOR 0.47μF,6.3V	C4205		NCB31EK-103X	CAPACITOR 0.01μF,25V
C2051		NCB31EK-103X	CAPACITOR 0.01μF,25V	C4206		NCB31CK-104X	CAPACITOR 0.1μF,16V
C2071		NBE20JM-106X	T CAPACITOR 10μF,6.3V	C4207		NCB31EK-103X	CAPACITOR 0.01μF,25V
C2072		NCB31HK-222X	CAPACITOR 0.0022μF,50V	C4208		NCB31CK-104X	CAPACITOR 0.1μF,16V
C2401		NEA70GM-476X	E CAPACITOR 47μF,4.0V	C4209		NCF21CZ-105X	CAPACITOR 1μF,16V
C2402		NBE20JM-106X	T CAPACITOR 10μF,6.3V	C4210		NCF21CZ-105X	CAPACITOR 1μF,16V
C2403		NCB31EK-103X	CAPACITOR 0.01μF,25V	C4251		NEA71HM-335X	E CAPACITOR 3.3μF,50V
C2404		NCF31CZ-224X	CAPACITOR 0.22μF,16V	C4252		NCB31CK-104X	CAPACITOR 0.1μF,16V
C2405		NCB31CK-104X	CAPACITOR 0.1μF,16V	C4253		NCB31EK-153X	CAPACITOR 0.015μF,25V
C2406		NCF31EZ-104X	CAPACITOR 0.1μF,25V	C4254		NCB31EK-153X	CAPACITOR 0.015μF,25V
C3002		NCB21CK-105X	CAPACITOR 1μF,16V	C4256		NEA71CM-106X	E CAPACITOR 10μF,16V
C3003		NCB21CK-105X	CAPACITOR 1μF,16V	C4503		NEA70JM-107X	E CAPACITOR 100μF,6.3V
C3004		NCF31EZ-104X	CAPACITOR 0.1μF,25V	C4504		NCF31EZ-104X	CAPACITOR 0.1μF,25V
C3005		NCF31EZ-104X	CAPACITOR 0.1μF,25V	C4505		NDC31HJ-330X	CAPACITOR 33pF,50V
C3006		NDC31HG-100X	CAPACITOR 10pF,50V	C4506		NCB31HK-102X	CAPACITOR 0.001μF,50V
C3007		NDC31HG-100X	CAPACITOR 10pF,50V	C4507		NCB31HK-102X	CAPACITOR 0.001μF,50V
C3009		NCF31EZ-104X	CAPACITOR 0.1μF,25V	C4508		NCB31HK-102X	CAPACITOR 0.001μF,50V
C3011		NCF31EZ-104X	CAPACITOR 0.1μF,25V	C4509		NCB31HK-102X	CAPACITOR 0.001μF,50V
C3012		NCF31EZ-104X	CAPACITOR 0.1μF,25V	C4510		NCB31CK-104X	CAPACITOR 0.1μF,16V
C3013		NCF31EZ-104X	CAPACITOR 0.1μF,25V	C4511		NCF31EZ-104X	CAPACITOR 0.1μF,25V

# ▲ REF No.	PART No.	PART NAME, DESCRIPTION		# ▲ REF No.	PART No.	PART NAME, DESCRIPTION	
C4701	NBE20JM-106X	T CAPACITOR	10μF,6.3V	C6202	NCB10JK-106X	CAPACITOR	10μF,6.3V
C4702	NCF31EZ-104X	CAPACITOR	0.1μF,25V	C6203	NEA70JM-476X	E CAPACITOR	47μF,6.3V
C4703	NBE20JM-106X	T CAPACITOR	10μF,6.3V	C6205	NCB31HK-472X	CAPACITOR	0.0047μF,50V
C4704	NCB21CK-105X	CAPACITOR	1μF,16V	C6210	NCB31EK-103X	CAPACITOR	0.01μF,25V
C4705	NDC31HJ-820X	CAPACITOR	82pF,50V	C6301	NCB11CK-225X	CAPACITOR	2.2μF,16V
C4706	NDC31HJ-150X	CAPACITOR	15pF,50V	C6302	NCB10JK-106X	CAPACITOR	10μF,6.3V
C4707	NCB21CK-105X	CAPACITOR	1μF,16V	C6303	NEA70JM-226X	E CAPACITOR	22μF,6.3V
C4708	NDC31HJ-820X	CAPACITOR,C,D,E,F	82pF,50V	C6305	NCB31HK-561X	CAPACITOR	560pF,50V
C4709	NDC31HJ-150X	CAPACITOR,C,D,E,F	15pF,50V	C6306	NCB21CK-105X	CAPACITOR	1μF,16V
C4710	NCB31EK-103X	CAPACITOR,C,D,E,F	0.01μF,25V	C6307	NEA71CM-106X	E CAPACITOR	10μF,16V
C4711	NCB21CK-105X	CAPACITOR,C,D,E,F	1μF,16V	C6308	NBE20JM-106X	T CAPACITOR	10μF,6.3V
C4715	NCB21CK-105X	CAPACITOR,C,D,E,F	1μF,16V	C6310	NCB31HK-102X	CAPACITOR	0.001μF,50V
C4719	NCB31EK-103X	CAPACITOR,C,D,E,F	0.01μF,25V	C6401	NCB21CK-105X	CAPACITOR	1μF,16V
C5203	NCB10JK-106X	CAPACITOR	10μF,6.3V	C6402	NCF21CZ-105X	CAPACITOR	1μF,16V
C5207	NCB31EK-103X	CAPACITOR	0.01μF,25V	C6406	NCB31CK-683X	CAPACITOR	0.068μF,16V
C5208	NCB31EK-103X	CAPACITOR	0.01μF,25V	C6410	NCB21CK-474X	CAPACITOR	0.47μF,16V
C5209	NCB31EK-103X	CAPACITOR	0.01μF,25V	C6501	NCB21CK-105X	CAPACITOR	1μF,16V
C5210	NCF31EZ-104X	CAPACITOR	0.1μF,25V	C6502	NCF21CZ-105X	CAPACITOR	1μF,16V
C5211	NCB21CK-105X	CAPACITOR	1μF,16V	C6506	NCB21CK-224X	CAPACITOR	0.22μF,16V
C5212	NCB21CK-105X	CAPACITOR	1μF,16V	C6510	NCB31CK-104X	CAPACITOR	0.1μF,16V
C5213	NCB31HK-332X	CAPACITOR	0.0033μF,50V	C6601	NCB11CK-225X	CAPACITOR	2.2μF,16V
C5214	NCB31EK-103X	CAPACITOR	0.01μF,25V	C6602	NCF21CZ-105X	CAPACITOR	1μF,16V
C5218	NCF31EZ-104X	CAPACITOR	0.1μF,25V	C6603	NCB11CK-475X	CAPACITOR	4.7μF,16V
C5219	NBP21CM-685X	T CAPACITOR	6.8μF,16V	C6605	NDC31HJ-331X	CAPACITOR	330pF,50V
C5221	NCB11EK-105X	CAPACITOR	1μF,25V	C6606	NCF21CZ-105X	CAPACITOR	1μF,16V
C5222	NCB31CK-104X	CAPACITOR	0.1μF,16V	C6607	NCB11EK-105X	CAPACITOR	1μF,25V
C5223	NCF31EZ-104X	CAPACITOR	0.1μF,25V	C6610	NCB31EK-103X	CAPACITOR	0.01μF,25V
C5225	NCF31EZ-104X	CAPACITOR	0.1μF,25V	C6616	NCB21CK-105X	CAPACITOR	1μF,16V
C5227	NCB31CK-104X	CAPACITOR	0.1μF,16V	C6622	NCB21CK-105X	CAPACITOR	1μF,16V
C5228	NCF31EZ-104X	CAPACITOR	0.1μF,25V	C6700	NCB31HK-272X	CAPACITOR	0.0027μF,50V
C5229	NCB11EK-105X	CAPACITOR,C,D,E,F	1μF,25V	C6701	NCF21CZ-105X	CAPACITOR	1μF,16V
	NRS181J-0R0X	MG RESISTOR,A,B	0Ω,1/8W	C6702	NCB41CK-106X	CAPACITOR	10μF,16V
C5230	NCB21EK-104X	CAPACITOR	0.1μF,25V	C6711	NCB21HK-472X	CAPACITOR	0.0047μF,50V
C5232	NDC31HJ-100X	CAPACITOR	10pF,50V	C6802	NCF21CZ-105X	CAPACITOR	1μF,16V
C5233	NDC31HJ-100X	CAPACITOR	10pF,50V	C6805	NCB31HK-102X	CAPACITOR	0.001μF,50V
C5234	NDC31HJ-100X	CAPACITOR	10pF,50V	C6810	NCB31EK-103X	CAPACITOR	0.01μF,25V
C5235	NDC31HJ-100X	CAPACITOR	10pF,50V	C6812	NCF21CZ-105X	CAPACITOR	1μF,16V
C5236	NDC31HJ-100X	CAPACITOR	10pF,50V	C6820	NCB31HK-102X	CAPACITOR	0.001μF,50V
C5237	NDC31HJ-100X	CAPACITOR	10pF,50V	C7001	NCB31EK-103X	CAPACITOR	0.01μF,25V
C6002	NEA71CM-106X	E CAPACITOR	10μF,16V	C7002	NBE20JM-106X	T CAPACITOR	10μF,6.3V
C6004	NCF21CZ-105X	CAPACITOR	1μF,16V	C7003	NBE20JM-335X	T CAPACITOR	3.3μF,6.3V
C6005	NCB21CK-105X	CAPACITOR	1μF,16V	C7004	NCB31HK-332X	CAPACITOR,E,F	0.0033μF,50V
C6006	NCF21CZ-105X	CAPACITOR	1μF,16V	C7005	NCB31EK-103X	CAPACITOR,E,F	0.01μF,25V
C6007	NCB21CK-105X	CAPACITOR	1μF,16V	C7006	NDC31HJ-390X	CAPACITOR,E,F	39pF,50V
C6009	NDC31HJ-820X	CAPACITOR	82pF,50V	C7007	NCB31HK-102X	CAPACITOR,E,F	0.001μF,50V
C6010	NCB21CK-105X	CAPACITOR	1μF,16V	C7008	NCB31EK-103X	CAPACITOR,E,F	0.01μF,25V
C6011	NCB21CK-104X	CAPACITOR	0.1μF,16V	C7012	NCB31CK-104X	CAPACITOR,E,F	0.1μF,16V
C6012	NCB21CK-224X	CAPACITOR	0.22μF,16V	C7019	NDC31HJ-121X	CAPACITOR	120pF,50V
C6013	NCB31EK-473X	CAPACITOR	0.047μF,25V	C7020	NDC31HJ-151X	CAPACITOR	150pF,50V
C6014	NCB31EK-473X	CAPACITOR	0.047μF,25V	C7021	NBP41EM-475X	T CAPACITOR	4.7μF,25V
C6015	NCB31EK-473X	CAPACITOR	0.047μF,25V	C7022	NCB31EK-103X	CAPACITOR	0.01μF,25V
C6016	NCB31EK-473X	CAPACITOR	0.047μF,25V	C7023	NCB31EK-103X	CAPACITOR	0.01μF,25V
C6017	NCF21CZ-105X	CAPACITOR	1μF,16V	C7024	NBP41EM-475X	T CAPACITOR	4.7μF,25V
C6101	NCB21CK-105X	CAPACITOR	1μF,16V	C7025	NCB31EK-103X	CAPACITOR	0.01μF,25V
C6102	NCB10JK-106X	CAPACITOR	10μF,6.3V	C7026	NBE20JM-106X	T CAPACITOR	10μF,6.3V
C6105	NCB31HK-102X	CAPACITOR	0.001μF,50V	C7028	NCB31EK-103X	CAPACITOR	0.01μF,25V
C6106	NCF21CZ-105X	CAPACITOR	1μF,16V	C7029	NCB31CK-104X	CAPACITOR,A,B,C,D	0.1μF,16V
C6107	NCF21CZ-105X	CAPACITOR	1μF,16V	C7030	NCB31EK-103X	CAPACITOR	0.01μF,25V
C6108	NCF21CZ-105X	CAPACITOR	1μF,16V	C7031	NDC31HJ-220X	CAPACITOR	22pF,50V
C6110	NCB31HK-152X	CAPACITOR	0.0015μF,50V	C7032	NCB31CK-104X	CAPACITOR	0.1μF,16V
C6201	NCB21CK-105X	CAPACITOR	1μF,16V	C7033	NCB21CK-334X	CAPACITOR	0.33μF,16V

#	△	REF No.	PART No.	PART NAME, DESCRIPTION		#	△	REF No.	PART No.	PART NAME, DESCRIPTION	
C7034			NDC31HJ-331X	CAPACITOR	330pF,50V	L6602			NQL144K-221X	COIL	220μH
C7035			NDC31HJ-330X	CAPACITOR	33pF,50V	L6606			NQL144K-220X	COIL	22μH
C7036			NCB31CK-104X	CAPACITOR	0.1μF,16V	L6701			NQL52EM-100X	COIL	10μH
C7037			NDC31HJ-330X	CAPACITOR	33pF,50V	L7001			NQL38DK-220X	COIL	22μH
C7038			NCB31EK-103X	CAPACITOR	0.01μF,25V	L7002			NQL085J-8R2X	COIL,E,F	8.2μH
C7039			NBP41CM-106X	T CAPACITOR	10μF,16V	L7005			NQL38DK-220X	COIL	22μH
C7042			NCB31EK-103X	CAPACITOR	0.01μF,25V	L7006			NQL38DK-220X	COIL	22μH
C7045			NDC31HJ-100X	CAPACITOR,A,B,C,D	10pF,50V	L7007			NQL38DK-220X	COIL	22μH
C7046			NDC31HJ-100X	CAPACITOR,A,B,C,D	10pF,50V	L7008			NQL38DK-220X	COIL	22μH
C7047			NDC31HJ-100X	CAPACITOR,A,B,C,D	10pF,50V	L7009			NQL38DK-220X	COIL	22μH
C7048			NBE20JM-106X	T CAPACITOR	10μF,6.3V	L7012			NQL144K-100X	COIL,A,B,C,D	10μH
C7051			NCB31EK-103X	CAPACITOR	0.01μF,25V	X101			NAX0251-001X	CRYSTAL RESONATOR	
C7052			NBE20JM-106X	T CAPACITOR	10μF,6.3V	X102			NAX0325-001X	CRYSTAL RESONATOR	
C7053			NCB31EK-103X	CAPACITOR	0.01μF,25V	X3001			QAX0565-001	CRYSTAL RESONATOR	
C7054			NBP41EM-475X	T CAPACITOR	4.7μF,25V	WR1			WJV0039-001A	E-PRIMARY WIRE,JUMP WIRE	
C7056			NCB21CK-104X	CAPACITOR,E,F	0.1μF,16V	WR2			WJM0180-001A	E-SI C WIRE C-F,JP4001/JP4002,E,F	
C7057			NCB31EK-682X	CAPACITOR,A,B,C,D	0.0068μF,25V	WR3			YU40017-013-1	THIN WIRE,JP2005-SD1,E,F	
C7058			NCB31CK-104X	CAPACITOR,E,F	0.1μF,16V	△ J101			QAB0022-001	LI BATTERY	
C7059			NBP41EM-475X	T CAPACITOR	4.7μF,25V	J504			LY31356-002A	JACK UNIT	
C7060			NCB11CK-225X	CAPACITOR	2.2μF,16V	J505			QND0068-001	S JACK,C,D,E,F	
C7061			NCB11CK-475X	CAPACITOR,E,F	4.7μF,16V	CN1			QGF0507F3-10X	FFC/FPC CONNECTOR	
C7062			NCB11CK-475X	CAPACITOR,E,F	4.7μF,16V	CN2			QGF0507F3-14X	FFC/FPC CONNECTOR	
C7063			NCB11CK-475X	CAPACITOR,E,F	4.7μF,16V	CN3			QGF0505F2-18X	FPC CONNECTOR	
C7064			NCB11EK-105X	CAPACITOR	1μF,25V	CN4			QGA1201F2-06X	CONNECTOR	
C7065			NCB11EK-105X	CAPACITOR	1μF,25V	CN5			QGF0507F1-11X	FPC CONNECTOR	
C7066			NCB11EK-105X	CAPACITOR	1μF,25V	CN7			QGF0507F3-11X	FFC/FPC CONNECTOR	
C7067			NCB31CK-104X	CAPACITOR	0.1μF,16V	CN8			QGA1201C2-02X	CONNECTOR	
C7069			NCB31EK-103X	CAPACITOR	0.01μF,25V	CN11			QGF0507F1-20X	FPC CONNECTOR,E,F	
L101			NQL034K-330X	COIL	33μH	CN12			QGA1201F2-05X	CONNECTOR,A,B,C,D	
L1601			NQL38DK-100X	COIL	10μH	CN13			QGF0507F3-14X	FFC/FPC CONNECTOR	
L1602			NQL144K-100X	COIL	10μH	CN15			QGF0507F1-22X	FPC CONNECTOR	
L2001			NQL144K-101X	COIL	100μH	CN16			QGF0305F1-33X	FPC CONNECTOR	
L2003			NQL034K-470X	COIL	47μH	CN18			QGF0507F3-12X	FFC/FPC CONNECTOR	
L2021			NQL144K-470X	COIL	47μH	CN19			QGF0301F1-39X	FPC CONNECTOR,E,F	
L2051			NRSA63J-0R0X	MG RESISTOR	0Ω,1/16W	CN22			QGF0507F3-14X	FFC/FPC CONNECTOR	
L2052			NRSA63J-0R0X	MG RESISTOR	0Ω,1/16W	CN25			QGB0506L1-30X	CONNECTOR	
L2071			NRSA63J-0R0X	MG RESISTOR	0Ω,1/16W	CN27			QGA1201C2-02X	CONNECTOR	
L2072			NRSA63J-0R0X	MG RESISTOR	0Ω,1/16W	CN28			QGA1002F1-13X	CONNECTOR	
L2401			NQL144K-470X	COIL	47μH	△ F6001			NMFZ007-2R0X-K	FUSE	T2.0A
L3002			NQR0006-001X	FERRITE BEAD		△ F6002			NMFZ010-R50X-A	FUSE	T0.5A
L3003			NQR0129-002X	FERRITE BEAD		SD1			LY42845-001A	SHIELD SHEET,E,F	
L3502			NQL38DK-220X	COIL	22μH	OT1			LY30016-049A	SPACER-A,FOR WR1	
L4005			NQL38DK-220X	COIL	22μH	OT2			LY30029-0B6A	SPACER(A),FOR LI BATTERY	
L4201			NQR0006-001X	FERRITE BEAD							
L4501			NQR0006-001X	FERRITE BEAD							
L4502			NQL034K-220X	COIL	22μH						
L4701			NQL38DK-220X	COIL	22μH						
L5201			NQL38DK-470X	COIL	47μH						
L5202			NQL38DK-220X	COIL	22μH						
L5203			NQL38DK-220X	COIL	22μH						
L6001			NQL52EM-100X	COIL	10μH						
L6002			NQL52EM-100X	COIL	10μH						
L6101			NQL52EM-390X	COIL	39μH						
L6106			NQL144K-101X	COIL	100μH						
L6107			NQL144K-101X	COIL	100μH						
L6201			NQL52EM-470X	COIL	47μH						
L6301			NQL52EM-390X	COIL	39μH						
L6306			NQL52EM-470X	COIL	47μH						
L6401			NQL52EM-470X	COIL	47μH						
L6501			NQL52EM-470X	COIL	47μH						
L6601			NQL52EM-221X	COIL	220μH						

CCD BOARD ASSEMBLY <02>											
						PW			YB20899B-01	CCD BOARD ASSY,C,D,E,F	
									YB20899C-01	CCD BOARD ASSY,A,B	
						Q5301			2SC3931/CD/-X	TRANSISTOR	
									or 2SC4774/RS/-X	TRANSISTOR	
						R5301			NRSA02J-105X	MG RESISTOR,C,D,E,F	1MΩ,1/10W
						R5302			NRSA02J-562X	MG RESISTOR	5.6kΩ,1/10W
						R5303			NRSA02J-0R0X	MG RESISTOR	0Ω,1/10W
						C5301			NCF21EZ-104X	CAPACITOR	0.1μF,25V
						C5302			NBP21EM-155X	T CAPACITOR	1.5μF,25V
						C5303			NCB21HK-102X	CAPACITOR,C,D,E,F	0.001μF,50V
						C5304			NCF21EZ-104X	CAPACITOR	0.1μF,25V
						C5305			NDC21HJ-270X	CAPACITOR	27pF,50V

▲ REF No. PART No. PART NAME, DESCRIPTION

C-VF BL BOARD ASSEMBLY <06> E,F

PW	YB20901A	C-VF BL BOARD ASSY	
Q7560	UMD3N	TRANSISTOR	
Q7562	PUMX1	PAIR TRANSISTOR	
D7560	NSCW100A0/ST/-X	LE DIODE	
R7560	NRVA63D-332X	CMF RESISTOR	3.3kΩ, 1/16W
R7561	NRVA63D-561X	CMF RESISTOR	560Ω, 1/16W
R7562	NRSA63J-470X	MG RESISTOR	47Ω, 1/16W
R7565	NRSA63J-333X	MG RESISTOR	33kΩ, 1/16W
C7551	NCB31CK-104X	CAPACITOR	0.1μF, 16V
C7552	NCB31CK-104X	CAPACITOR	0.1μF, 16V
C7560	NCB31CK-104X	CAPACITOR	0.1μF, 16V
CN7551	QGF0505F1-20X	FPC CONNECOTR	
CN7552	QGF0501F1-16X	FPC CONNECTOR	

MONITOR BOARD ASSEMBLY <07>

PW	YB20900A-01	MONITOR BOARD ASSY,E,F	
	YB20900B-01	MONITOR BOARD ASSY,A,B,C,D	
IC7501	TC7WH34FK	IC	
Q7501	2SC3647/ST/-X	POW TRANSISTOR	
Q7502	2SC3647/ST/-X	POW TRANSISTOR	
Q7503	DTA144EE	TRANSISTOR	
Q7504	2SC4617/QR/-X	TRANSISTOR	
Q7507	DTA144EE	TRANSISTOR	
R7501	NRSA63J-102X	MG RESISTOR	1kΩ, 1/16W
R7502	NRSA63J-102X	MG RESISTOR	1kΩ, 1/16W
R7503	NRSA63J-102X	MG RESISTOR	1kΩ, 1/16W
R7506	NRSA63J-473X	MG RESISTOR	47kΩ, 1/16W
R7507	NRSA63J-473X	MG RESISTOR	47kΩ, 1/16W
R7511	NRSA63J-223X	MG RESISTOR,E,F	22kΩ, 1/16W
R7512	NRSA63J-223X	MG RESISTOR,E,F	22kΩ, 1/16W
R7513	NRSA63J-103X	MG RESISTOR,A,B,C,D	10kΩ, 1/16W
R7514	NRSA63J-333X	MG RESISTOR,E,F	33kΩ, 1/16W
R7515	NRSA63J-302X	MG RESISTOR,A,B,C,D	3kΩ, 1/16W
	NRSA63J-562X	MG RESISTOR,E,F	5.6kΩ, 1/16W
R7516	NVP0016-103X	TRIM RESISTOR,V COM	
R7517	NRSA63J-563X	MG RESISTOR	56kΩ, 1/16W
C7501	NCZ1016-120X	CAPACITOR	12pF, 2kV
C7502	NCB31EK-103X	CAPACITOR	0.01μF, 25V
C7503	NFV41HJ-273X	MPPS CAPACITOR	0.027μF, 50V
C7504	NCB31EK-103X	CAPACITOR	0.01μF, 25V
C7505	NCB10JK-106X	CAPACITOR	10μF, 6.3V
C7510	NCB31EK-103X	CAPACITOR,E,F	0.01μF, 25V
L7501	NQLZ010-680X	COIL	68μH
L7502	NQL03BK-100X	COIL	10μH
T7501	NQS0049-001X	SW TRANSF	
CN7501	QGF0501F1-28X	FPC CONNECTOR	
CN7502	QGF0505F1-24X	FPC CONNECTOR	
CN7503	QGA5002F1-02X	CONNECTOR	
△ F7501	NMFZ009-R375XJ1	FUSE	T0.37A
OT1	LY41726-001A	PLATE(EARTH)	

▲ REF No. PART No. PART NAME, DESCRIPTION

DSC BOARD ASSEMBLY <08> E,F

PW	YB20898B	DSC BOARD ASSY	
IC8001	JCY0076B	IC	
IC8002	M32000D3FP	IC	
	or M32000D4AFP	IC(MICRO C ROM)	
	or M32000D4BFP	IC(MICRO C ROM)	
IC8003	MBV160T90PTA04	IC(MICRO C ROM)	
IC8006	MAX3221CAE	IC	
IC8007	TC7WU04FU	IC(DIGITAL)	
R8002	NRSA63J-101X	MG RESISTOR	100Ω, 1/16W
R8003	NRSA63J-101X	MG RESISTOR	100Ω, 1/16W
R8004	NRSA63J-104X	MG RESISTOR	100kΩ, 1/16W
R8005	NRSA63J-104X	MG RESISTOR	100kΩ, 1/16W
R8006	NRSA63J-102X	MG RESISTOR	1kΩ, 1/16W
R8007	NRSA63J-0R0X	MG RESISTOR	Ω, 1/16W
R8012	NRSA63J-472X	MG RESISTOR	4.7kΩ, 1/16W
R8014	NRSA63J-100X	MG RESISTOR	10Ω, 1/16W
R8015	NRSA63J-100X	MG RESISTOR	10Ω, 1/16W
R8016	NRSA63J-100X	MG RESISTOR	10Ω, 1/16W
R8017	NRSA63J-100X	MG RESISTOR	10Ω, 1/16W
R8018	NRSA63J-100X	MG RESISTOR	10Ω, 1/16W
R8019	NRSA63J-100X	MG RESISTOR	10Ω, 1/16W
R8020	NRSA63J-100X	MG RESISTOR	10Ω, 1/16W
R8021	NRSA63J-100X	MG RESISTOR	10Ω, 1/16W
R8022	NRSA63J-100X	MG RESISTOR	10Ω, 1/16W
R8023	NRSA63J-100X	MG RESISTOR	10Ω, 1/16W
R8024	NRSA63J-100X	MG RESISTOR	10Ω, 1/16W
R8025	NRSA63J-100X	MG RESISTOR	10Ω, 1/16W
R8026	NRSA63J-100X	MG RESISTOR	10Ω, 1/16W
R8027	NRSA63J-105X	MG RESISTOR	1MΩ, 1/16W
R8029	NRSA63J-0R0X	MG RESISTOR	Ω, 1/16W
R8030	NRSA63J-0R0X	MG RESISTOR	Ω, 1/16W
C8001	NCB31CK-104X	CAPACITOR	0.1μF, 16V
C8002	NBE20JM-106X	T CAPACITOR	10μF, 6.3V
C8003	NCB31CK-104X	CAPACITOR	0.1μF, 16V
C8005	NCB31CK-104X	CAPACITOR	0.1μF, 16V
C8006	NCB31CK-104X	CAPACITOR	0.1μF, 16V
C8007	NCB31CK-104X	CAPACITOR	0.1μF, 16V
C8008	NCB31CK-104X	CAPACITOR	0.1μF, 16V
C8009	NCB31CK-104X	CAPACITOR	0.1μF, 16V
C8010	NCB31CK-104X	CAPACITOR	0.1μF, 16V
C8011	NCB31CK-104X	CAPACITOR	0.1μF, 16V
C8012	NCB31CK-104X	CAPACITOR	0.1μF, 16V
C8013	NCB31CK-104X	CAPACITOR	0.1μF, 16V
C8014	NBE50JM-107X	T CAPACITOR	100μF, 6.3V
C8015	NCB31CK-104X	CAPACITOR	0.1μF, 16V
C8016	NCB31CK-104X	CAPACITOR	0.1μF, 16V
C8017	NCB31HK-102X	CAPACITOR	0.001μF, 50V
C8018	NCB31CK-104X	CAPACITOR	0.1μF, 16V
C8019	NCB31CK-104X	CAPACITOR	0.1μF, 16V
C8020	NCB31CK-104X	CAPACITOR	0.1μF, 16V
C8021	NCB31CK-104X	CAPACITOR	0.1μF, 16V
C8022	NCB31CK-104X	CAPACITOR	0.1μF, 16V
C8023	NCB31CK-104X	CAPACITOR	0.1μF, 16V
C8024	NCB31CK-104X	CAPACITOR	0.1μF, 16V
C8025	NBE50JM-107X	T CAPACITOR	100μF, 6.3V
C8026	NCB31CK-104X	CAPACITOR	0.1μF, 16V
C8032	NCB31CK-104X	CAPACITOR	0.1μF, 16V

#	△ REF No.	PART No.	PART NAME, DESCRIPTION
C8033		NCB31CK-104X	CAPACITOR 0.1μF,16V
C8034		NCB31CK-104X	CAPACITOR 0.1μF,16V
C8035		NCB31CK-104X	CAPACITOR 0.1μF,16V
C8036		NCB31CK-104X	CAPACITOR 0.1μF,16V
C8037		NCB31CK-104X	CAPACITOR 0.1μF,16V
C8038		NBE20JM-106X	T CAPACITOR 10μF,6.3V
C8040		NDC31HJ-270X	CAPACITOR 27pF,50V
C8041		NBE20JM-106X	T CAPACITOR 10μF,6.3V
C8042		NBE20JM-106X	T CAPACITOR 10μF,6.3V
C8043		NBE20JM-106X	T CAPACITOR 10μF,6.3V
C8044		NBE20JM-106X	T CAPACITOR 10μF,6.3V
L8001		NQL024J-100X	COIL 10μH
L8002		NQL034K-150X	COIL 15μH
L8003		NQL024J-100X	COIL 10μH
L8004		NQL024J-100X	COIL 10μH
L8005		NQR0129-002X	FERRITE BEAD
X8001		NAX0354-001X	RESONATOR
WR1		WJM0179-001A	E-SI C WIRE C-F,JP8001/JP8002
J8001		QNS0181-001	2.5 JACK
CN8001		QGF0301F1-39X	FPC CONNECTOR

#	△ REF No.	PART No.	PART NAME, DESCRIPTION
VR7003		PERE0595-565	V RESISTOR, FOCUS
C7001		QFV11HJ-104A	F CAPACITOR 0.1μF,50V
C7002		QEDP1AM-227	E CAPACITOR 220μF,10V
C7003		QEDP1AM-227	E CAPACITOR 220μF,10V
C7004		QEDP1AM-227	E CAPACITOR 220μF,10V
C7005		NCF21CZ-105X	CAPACITOR 1μF,16V
C7006		NCB21HK-152X	CAPACITOR 0.0015μF,50V
C7007		NCB11CK-105X	CAPACITOR 1μF,16V
C7008		NCF21CZ-105X	CAPACITOR 1μF,16V
C7009		PECA1131-A107	E CAPACITOR 100μF,10V
C7010		PECA1135-Y	CAPACITOR 5600pF,100V
C7011		NDC21HJ-180X	CAPACITOR 18pF,50V
C7012		QEK1HM-105Z	E CAPACITOR 1μF,50V
C7013		NCF21HZ-104X	CAPACITOR 0.1μF,50V
C7014		NCF21HZ-104X	CAPACITOR 0.1μF,50V
C7015		QCZ0212-151	CAPACITOR 150pF,1kV
C7016		PECA1006	CAPACITOR 330pF,500V
L7001		QQR0970-001	LINEARITY COIL 12μH
L7002		PU49994-220	COIL 22μH
L7003		PELN1101-680JY	COIL 68μH
△ T7001		QQH0011-002	FB TRANSF
CN7001		PEMC0856-4	CONNECTOR
CN7002		QGA1501C1-05	CONNECTOR,with WIRE
CN7003		WJK0025-001A	E-SI C WIRE C-B

E.VF BOARD ASSEMBLY <60> A,B,C,D

PW	LY41289-002A	E.VF BOARD ASSY
IC7001	BA7149F-XE	IC
Q7001	2SD968A(RS)	PH TRANSISTOR
Q7002	2SA1748(QR)	PH TRANSISTOR
Q7003	2SA1748(QR)	PH TRANSISTOR
D7001	MA142WA	SI DIODE
R7002	NRSA02J-3R9X	MG RESISTOR 3.9Ω,1/10W
R7003	NRVA02D-153X	CMF RESISTOR 15kΩ,1/10W
R7005	NRSA02J-102X	MG RESISTOR 1kΩ,1/10W
R7006	NRSA02J-113X	MG RESISTOR 11kΩ,1/10W
R7007	NRSA02J-330X	MG RESISTOR 33Ω,1/10W
R7008	NRSA02J-394X	MG RESISTOR 390kΩ,1/10W
R7009	NRSA02J-103X	MG RESISTOR 10kΩ,1/10W
R7010	NRVA02D-104X	CMF RESISTOR 100kΩ,1/10W
R7011	NRSA02J-223X	MG RESISTOR 22kΩ,1/10W
R7012	NRSA02J-221X	MG RESISTOR 220Ω,1/10W
R7013	NRSA02J-102X	MG RESISTOR 1kΩ,1/10W
R7014	NRSA02J-472X	MG RESISTOR 4.7kΩ,1/10W
R7015	NRSA02J-223X	MG RESISTOR 22kΩ,1/10W
R7016	NRSA02J-122X	MG RESISTOR 1.2kΩ,1/10W
R7017	NRSA02J-472X	MG RESISTOR 4.7kΩ,1/10W
R7018	NRSA02J-223X	MG RESISTOR 22kΩ,1/10W
R7019	NRSA02J-120X	MG RESISTOR 12Ω,1/10W
R7020	NRS181J-685X	MG RESISTOR 6.8MΩ,1/8W
R7021	NRSA02J-475X	MG RESISTOR 4.7MΩ,1/10W
R7022	NRSA02J-475X	MG RESISTOR 4.7MΩ,1/10W
R7023	NRSA02J-564X	MG RESISTOR 560kΩ,1/10W
R7024	NRSA02J-105X	MG RESISTOR 1MΩ,1/10W
R7025	NRSA02J-275X	MG RESISTOR 2.7MΩ,1/10W
R7026	NRSA02J-275X	MG RESISTOR 2.7MΩ,1/10W
R7029	NRSA02J-102X	MG RESISTOR 1kΩ,1/10W
R7030	NRSA02J-102X	MG RESISTOR 1kΩ,1/10W
VR7001	NVP0001-221X	TRIM RESISTOR,V.SIZE
VR7002	NVP0001-225X	TRIM RESISTOR,BRIGHT